

**SEOAM**  
MACHINERY INDUSTRY  
서암기계공업주식회사

**HEAD OFFICE**

127-15 Hanam Industrial Complex,  
8th Road (Ancheong dong),  
Gwangsan gu, Gwangju, Korea 62213

**본사·공장**

우 62213 광주광역시 광산구 하남산단  
8번로 127-15(안청동)

**TEL.** +82 62 960 5000

**FAX.** +82 62 951 9981

**E-mail.** sales@smiltd.co.kr

**[CAT NO. T-SEOAM 1908]**

본 카다로그의 내용은 성능향상을 위하여  
예고 없이 변경될 수 있습니다.



# CHUCK & CYLINDER

SEOAM MACHINERY INDUSTRY

**HIGHEST QUALITY  
& PRECISION PRODUCTS**

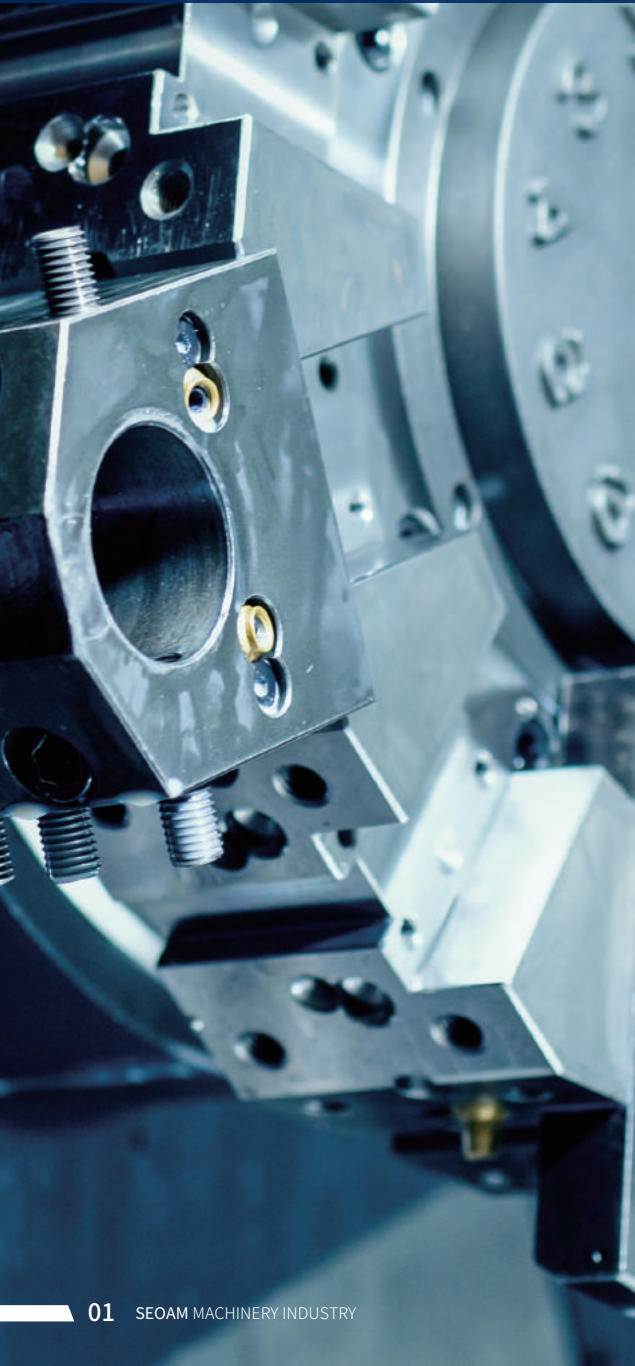
끈기, 성실, 정직의 가치와 고객 중심의 품질 최우선  
주의 실현을 통하여 고객이 믿고 찾을 수 있는 제품과  
서비스를 제공하여 드리겠습니다.

We will provide products and services that  
customers can believe and find through  
realizing the value of perseverance, sincerity,  
honesty and customer-centered quality.



# CONTENTS 목차

- POWER CHUCK ..... 05
- HYDRAULIC CYLINDER ..... 35
- MANUAL CHUCK ..... 55
- ACCESSORIES ..... 65
- SPECIAL CHUCK ..... 73



# HISTORY 연혁

## 도약기 2004~현재

leaping stage 2004 ~ present

- 2004 01  
Powerchuck & Cylinder 남아프리카공화국수출  
Exported Powerchuck & Cylinder to South Africa.
- 2004 11  
대표이사대통령상수상및300만불수출탑수상  
Awarded trophy for exports over US\$3 Millions and awarded recognition from Korea president.
- 2004 12  
산업자원부장관상(부품소재기술상)수상  
Awarded Materials and Components Technology prize by Minister of Commerce, Industry and Energy.
- 2005 11  
무역의날500만불수출탑수상및산자부장관상수상  
Awarded trophy for exports over US\$5Millions and by Minister of Commerce, Industry and Energy.
- 2006 01  
원심력보상형고속척& 고속실린더개발(8,000rpm)  
Developed high speed Compensating Chuck & Hydraulic Cylinder(8,000rpm)
- 2006 03  
모범납세자상수상(재정경제부장관)  
Awarded a model taxpayer prize by Minister of Finance and Economy.
- 2006 12  
선반의원심력보상형파워척외5건특허획득(특허청)  
5patents registered for Compensating Chuck etc. (Korean Intellectual Property Office)
- 2007 04  
부품소재전문기업지정(산자부장관)  
Approval components & material company certificate by Minister of Commerce, Industry and Energy.
- 2008 11  
싱글PPM 품질인증획득(유압척& 유압실린더)  
Achived Single PPM certificate for Power Chuck and Hydraulic Cylinder.
- 2011 12  
KOSDAQ 상장  
Stock listed at KOSDAQ
- 2015 03  
제 49회 납세자의 날 기획재정부 장관상 수상  
Awarded the Minister of Strategy and Finance award on the 49th Taxpayer's Day
- 2019 12  
제 56회 무역의 날 1천만불 수출 탑, 대통령 표창  
10 Million Dollar Export Tower on the 56th Trade Day, Presidential Citation

# AFFILIATE 관계사



**화천기공주식회사**  
HWACHEON MACHINE TOOL CO.,LTD.



**화천기계주식회사**  
HWACHEON MACHINERY CO.,LTD.



**티피에스코리아주식회사**  
TPS KOREA CO.,LTD. TPS KOREA

## 성장기 1998 ~2003

growth period stage 1998 ~ 2003

- 1998 09  
ISO 9001 인증획득  
Achieved ISO 9001 certificate.
- 1998 11  
기업부설연구소설립  
R&D center established.
- 1999 01  
Power Chuck 독일수출  
Exported Power Chuck to germany.
- 2000 10  
화천기어에서서암기계공업(주)로 상호명 변경  
Changed company name into "SEOAM"
- 2001 04  
Power chuck & Cylinder 미국수출  
Exported Power Chuck & Cylinder to USA.
- 2001 05  
모범중소기업인상수상(국무총리)  
Appointed as an excellent medium & small sized company by Prime Minister.
- 2001 11  
무역의날대통령상수상  
Awarded a prize by president in commemoration of TRADE day.
- 2003 05  
Powerchuck & Cylinder 중국수출  
Exported Powerchuck & Cylinder to China.

## 기반구축기 1978 ~1997

basis stage of foundation 1978 ~ 1997

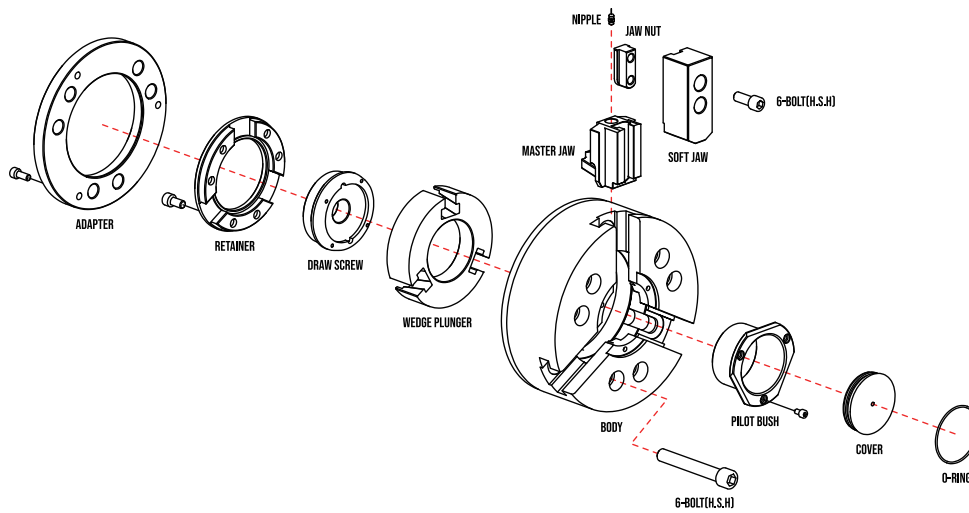
- 1978 02  
화천기어공업주식회사설립  
Establishment of Hwacheon Gear Works Co.,Ltd.
- 1980 04  
화천Chuck공업(주)흡수합병  
Merged with Hwacheon Chuck Co., Ltd.
- 1986 07  
일본HOWA공업(주)와기술도입계약  
Made a contract of technical cooperation with Howa machinery.,Ltd.
- 1992 02  
Power Chuck 일본HOWA 수출  
Exported Power Chuck to Howa machinery Ltd.
- 1995 01  
하남공단으로공장신축이전  
Moved to new factory in Hanam Industrial Complex.
- 1996 12  
Europe 안전규격C. E Mark 획득  
Achieved C.E Mark.
- 1997 12  
노사협력우량기업선정(노동부장관)  
Appointed as an excellent company for the cooperation of labor & employer.



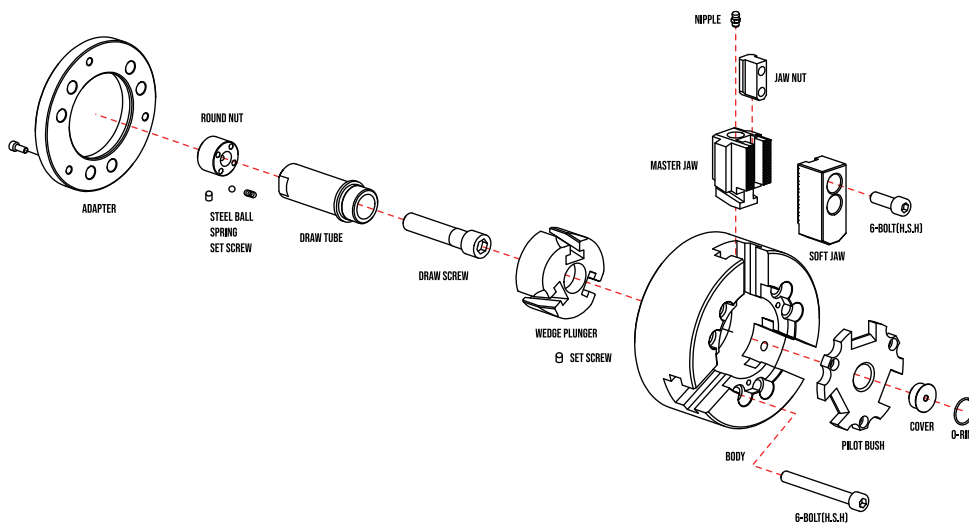


# POWER CHUCK : EXPLODED VIEW

## OPEN CENTER POWER CHUCK : EXPLODED VIEW

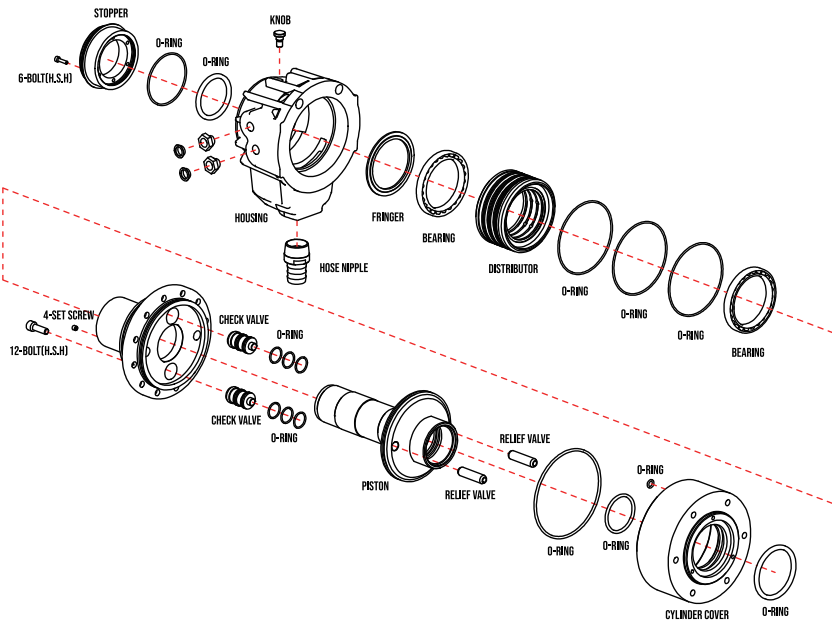


## CLOSED CENTER POWER CHUCK : EXPLODED VIEW

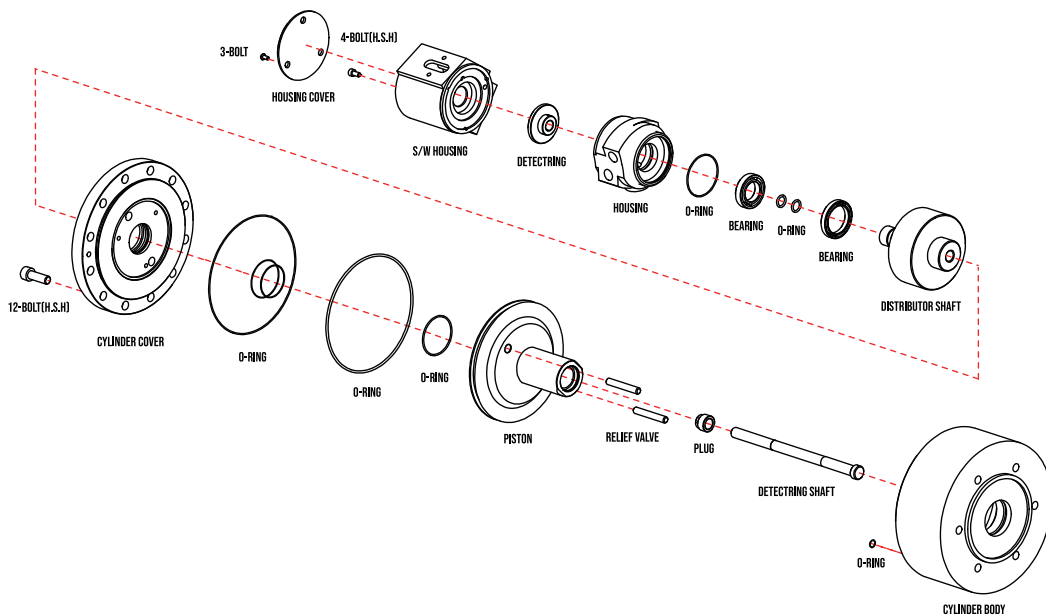




## OPEN CENTER HYDRAULIC CYLINDER : EXPLODED VIEW



## CLOSED CENTER HYDRAULIC CYLINDER : EXPLODED VIEW



# SEOAM POWER CHUCK

최고라는 자부심으로 최선을 다합니다. 국내 최초로 유압척을 개발하고 발전시켰던 축적된 기술력과 끊임없는 노력으로 높은 파악력과 고속 경량화를 실현한 다양한 시리즈로 고객이 믿고 찾을 수 있는 제품과 서비스를 제공하여 드릴것을 약속 하겠습니다. 서암기계공업주식회사는 “최고의 품질”과 “고정밀도”를 자랑합니다.

We will make a great effort to get customers satisfaction with self-confidence of the best. Having accumulated technologies by developing own power chuck series for the first time in Korea and continuous improvement efforts, the SEOAM promises to provide world top class quality products and reliable services with various power chuck series directed to realizing high gripping force, high speed with light weight. SEOAM Machinery is proud of the highest quality and precision products.

# POWER CHUCK

## CAH

고속중공형 파워척  
BIG BORE POWER CHUCK

P07



## CAHA

고속중공형 파워척  
(아답터 부착형)  
BIG BORE POWER CHUCK  
(WITH ADAPTER)

P09



## CAHT

2-조 고속중공형 파워척  
2-JAW BIG BORE  
POWERCHUCK

P11



## CAHF

4-조 고속중공형 파워척  
4-JAW BIG BORE  
POWER CHUCK

P13



## CGH

대관통경 중공형  
파워척  
GREAT BORE  
POWER CHUCK

P15



## CGHA

대관통경 중공형파워척  
(아답터 부착형)  
GREAT BORE POWER CHUCK  
(WITH ADAPTER)

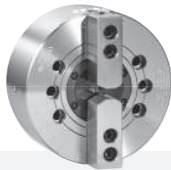
P17



## CGHT/F

2-조, 4-조 대관통경  
중공형 파워척  
2-JAW, 4-JAW GREAT BORE  
POWER CHUCK

P19



## CAS

고속중실형 파워척  
CLOSED CENTER  
POWER CHUCK

P21



## CASA

고속중실형 파워척  
(아답터 부착형)  
CLOSED CENTER POWER CHUCK  
(WITH ADAPTER)

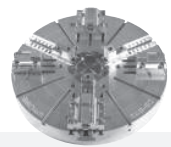
P23



## CAS-HC

고속중실형 파워척  
CLOSED CENTER  
COMBINATION CHUCK  
(HYDRAULIC+INDEPENDENT)

P25



## CASD

고속중실형 파워척  
(DIRECT MOUNT TYPE)  
CLOSED CENTER POWER CHUCK  
(DIRECT MOUNT TYPE)

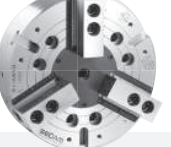
P27



## CASVA

고속중실형 파워척  
(방진 방수형)  
CLOSED CENTER POWER CHUCK  
(DUST PROOF & WATER PROOF)

P29



## CAST

2-조 고속중실형 파워척  
2-JAW CLOSED CENTER  
POWER CHUCK

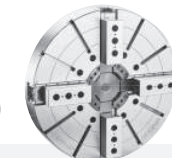
P31



## CASF-HC

4-조 고속중실형 파워척  
4-JAW CLOSED CENTER  
COMINATION CHUCK  
(HYDRAULIC+INDEPENDENT)

P32



## C11MB.C13M

3-조 드로우 다운 척  
3-JAW DRAW DOWN CHUCK

P33



## C63MB.C64M

강력요동형 척  
SWING LOCK CHUCK

P34





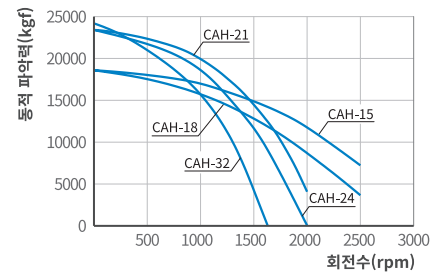
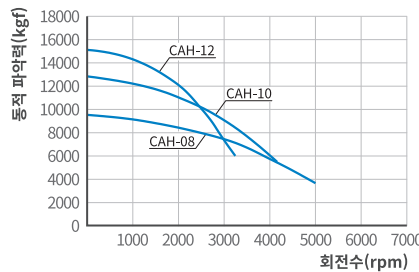
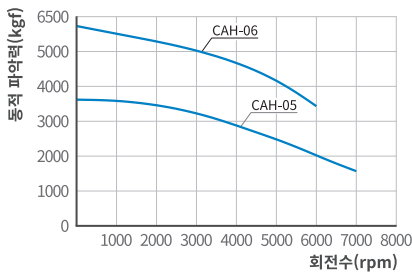
# CAH

고속중공형파워척  
BIG BORE POWER CHUCK



- 높은파악력
- High Gripping Force
- 고속화실현
- High Speed
- 경량화실현
- Light Weight
- 내구성확보
- Durability

## DYNAMIC GRIPPING FORCE 동적파악력선도



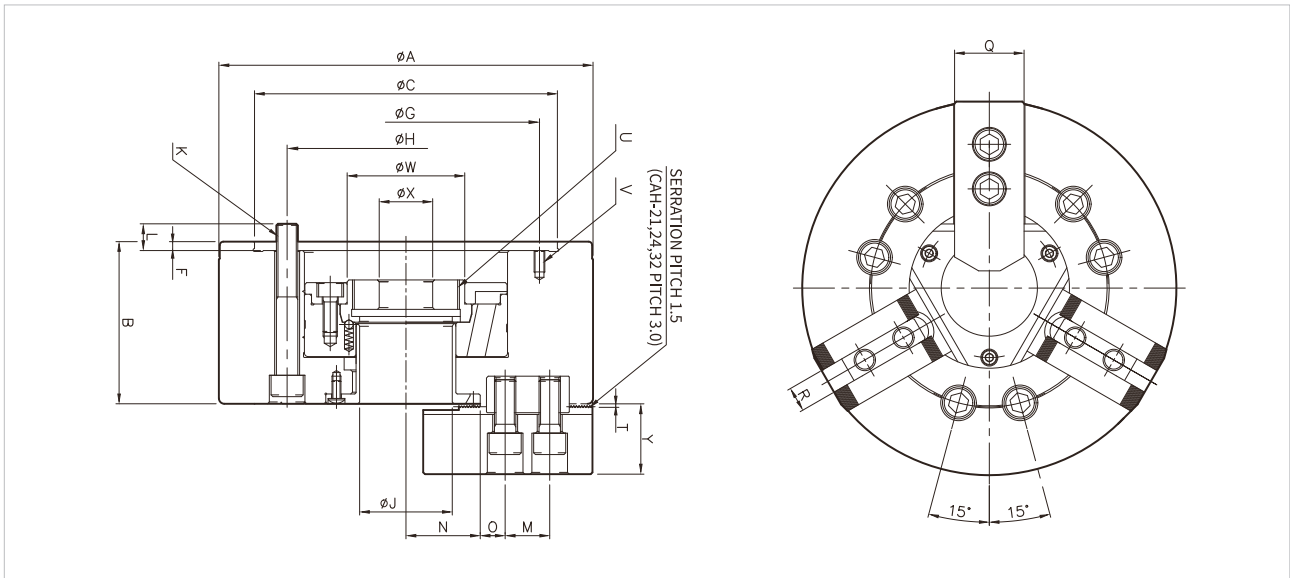
※ 척의 오랜 수명을 유지하기 위해 최소 일2회 이상 그리스를 주입하여 주십시오.  
※ It is recommended to grease chucks at least twice a day in order to maximize longevity.

## SPECIFICATIONS 사양표

Model 형식	Order NO. 오더번호	Spindle nose NO. 주축규격	Thru-hole (Diameter) 관통경(직경) mm	Jaw stroke (Diameter) 조스트로크(직경) mm	Plunger stroke 플린저스트로크 mm	Gripping Dia.(External gripping) 파악경(외경파악)mm		Max. permissible input force 허용실린더력 KN(kgf)
						Max 최대	Min 최소	
CAH-05	1AH05	-	33	5.4	10	135	10	17.5(1784)
CAH-06	1AH06	A2-5	46	5.5	13	169	13	25(2500)
CAH-08	1AH08	A2-6	52	7.6	18	210	11	40(4080)
CAH-10	1AH10	A2-8	77	8.5	20	254	31	50(5100)
CAH-12	1AH12	A2-8	91	10.2	24	304	34	58(5916)
CAH-15	1AH15	A2-11	118	10.6	23	381	30	71(7240)
CAH-18	1AH18	A2-11	118	10.6	23	450	30	71(7240)
CAH-21	1AH21	A2-11, 15	140	10.6	23	530	87	90(9177)
CAH-24	1AH24	A2-11, 15	165	10.4	23	610	110	90(9177)
CAH-32	1AH32	A2-15, 20	240	18	34	800	152	100(10193)

Model 형식	Max. static gripping force 최대정적파악력 KN(kgf)	Max. permissible speed 최고사용회전수 r.p.m.(min <sup>-1</sup> )	Weight (With standard soft jaws) 중량(표준소프트조 포함) kg	GD <sup>2</sup> Moment of inertia N · m <sup>2</sup> (kgf.m <sup>2</sup> )	Matching cylinder 적용실린더	Matching hard jaw 적용하드조	Matching soft jaw 적용소프트조
CAH-05	36(3671)	7000	6.7	0.7(0.071)	YSH·YAH-05	HJ-04A1	SJ-05T1
CAH-06	63(6426)	6000	12.5	2.26(0.23)	YSH·YAH-06	HJ-06T1	SJ-06T1
CAH-08	94(9597)	5000	22.3	6.67(0.68)	YSH·YAH-08	HJ-08T1	SJ-08T1
CAH-10	125(12740)	4200	34.5	12.84(1.31)	YSH·YAH-10	HJ-10T1	SJ-10T1
CAH-12	147(15000)	3300	55.3	28.7(2.93)	YSH·YAH-12	HJ-12A1	SJ-12A1
CAH-15	180(18355)	2500	120	89.14(9.09)	YSH-15	HJ-15T1	SJ-15A1
CAH-18	180(18355)	2000	164	174.6(17.8)	YSH-15	HJ-15T1	SJ-15A1
CAH-21	234(23861)	1700	235	351.1(35.8)	YSH-15	HJ-21B1	SJ-21A1
CAH-24	234(23861)	1400	293	651.2(66.4)	YSH-15	HJ-21B1	SJ-21A1
CAH-32	240(24464)	1200	530	598.4(61)	YSH-21	-	-

## OUTWARD DRAWING 외형도



## DIMENSION 치수표

Model 형식	A	B	C	F	G	H	J	K	L	M	N max	N min
CAH-05	135	60	110	4	96	82.6	33	3-M10	15	14	26.5	23.8
CAH-06	169	80	140	5	116	104.8	46	6-M10	12	20	33.5	30.7
CAH-08	210	91	170	5	150	133.4	52	6-M12	15	25	41.7	37.9
CAH-10	254	100	220	5	190	171.4	77	6-M16	17	30	54.5	50.3
CAH-12	304	115	220	6	190	171.4	91	6-M16	18	30	67.4	62.3
CAH-15	381	133	300	6	260	235	118	6-M20	30	43	82	76.7
CAH-18	450	133	380	6	320	235	118	6-M20	30	43	82	76.7
CAH-21	530	140	380	6	330.2	330.2	140	6-M22	34	60	98.5	93.2
CAH-24	610	149	380	6	330.2	330.2	165	6-M22	32	60	108.4	103.2
CAH-32	800	150	520	6	463.6	463.6	240	6-M24	31	38	153.5	144.5

Model 형식	O max	O min	P max	P min	Q	R	S	T	U max	V	W	X	Y	Z
CAH-05	19.75	7.75	1	-9	23	10	20	2	M40X1.5	3-M6	45	20	26	54
CAH-06	23	10	12	-1	31	12	19	2	M55X2.0	3-M6	60	20	33	72
CAH-08	27	10	16.5	-1.5	39	14	20.5	2	M60X2.0	3-M6	66	30	39	95
CAH-10	31	12	9.5	-10.5	44	16	27	2	M85X2.0	3-M8	94	30	46	110
CAH-12	42	12	10	-14	50	21	28	2.5	M100X2.0	3-M8	108	30	51.8	111
CAH-15	43.8	18.3	11	-12	62	22	39	5	M130X2.0	3-M10	139	60	70	165
CAH-18	73.8	18.3	11	-12	62	22	39	5	M130X2.0	3-M10	139	60	70	165
CAH-21	87.5	21.5	11	-12	65	25	39	5	M155X3.0	3-M12	170	80	73	180
CAH-24	117.5	21.5	20	-3	65	25	40	5	M175X3.0	3-M12	187	80	73	180
CAH-32	190.6	19.5	29	-5	75	25.5	40	10.4	M250X3.0	3-M12	260	80	83.6	160

※치수 및 사양은 예고없이 변경 될 수 있습니다.  
 ※Specifications are subject to change without notice.

## MODEL DESCRIPTION 형식번호표시

**CAH** □ - □□  
 Chuck Size

Blank  
 A Standard adapter type  
 T 2-jaw type

**CGH** □ - □□  
 Chuck Size

Blank  
 A Standard adapter type  
 T 2-jaw type

**CAS** □ - □□ **A** □  
 Chuck Size Spindle Nose

Blank  
 A Standard adapter type  
 T 2-jaw type  
 D Direct mount type

## CAHA

고속중공형파워척(아답터부착형)  
BIG BORE POWER CHUCK(WITH ADAPTER)



- 고성능 · 고정도    ○ High Performance and High Accuracy
- 아답터부착형    ○ Spindle Direct-Mounting Type
- 교체시간단축    ○ Minimize changing time
- 옵션부착용이    ○ Convenient Attachment Option

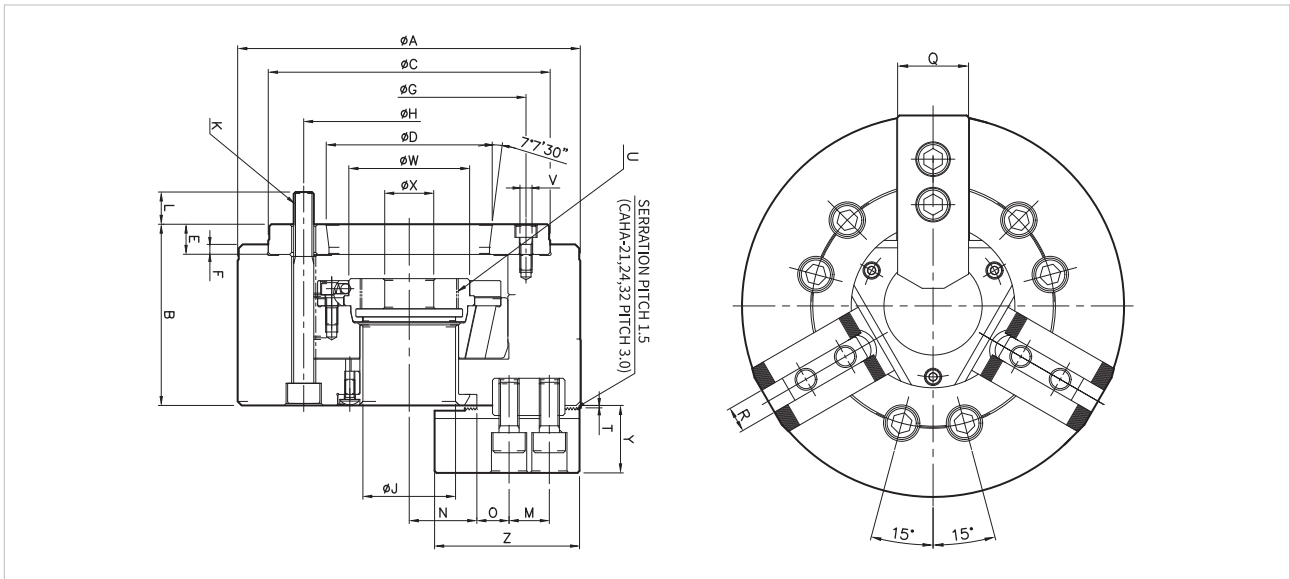
※ 척의 오랜 수명을 유지하기 위해 최소 일2회 이상 그리스를 주입하여 주십시오.  
※ It is recommended to grease chucks at least twice a day in order to maximize longevity.

## SPECIFICATIONS 사양표

Model 형식	Order NO. 오더번호	Spindle nose NO. 주축규격	Thru-hole (Diameter) 관통경(직경) mm	Jaw stroke (Diameter) 쥬스트로크(직경) mm	Plunger stroke 플런저스트로크 mm	Gripping Dia.(External gripping) 파악경(외경파악)mm		Max. permissible input force 허용실린더력 KN(kgf)
						Max 최대	Min 최소	
CAHA-06	1AHA06	A2-5	46	5.5	13	169	13	25(2500)
CAHA-08	1AHA08	A2-6	52	7.6	18	210	11	40(4080)
CAHA-10	1AHA10	A2-8	77	8.5	20	254	31	50(5100)
CAHA-12	1AHA12	A2-8	91	10.2	24	304	34	58(5916)
CAHA-15	1AHA15	A2-11	118	10.6	23	381	30	71(7240)
CAHA-18	1AHA18	A2-11	118	10.6	23	450	30	71(7240)
CAHA-21	1AHA21	A2-11, 15	140	10.6	23	530	87	90(9177)
CAHA-24	1AHA24	A2-11, 15	165	10.4	23	610	110	90(9177)
CAHA-32	1AHA32	A2-15, 20	240	18	34	800	152	100(10193)

Model 형식	Max. static gripping force 최대정적파악력 KN(kgf)	Max. permissible speed 최고사용회전수 r.p.m(min <sup>-1</sup> )	Weight (With standard soft jaws) 중량(표준소프트쥬포함) kg	GD <sup>2</sup> Moment of inertia N · m <sup>2</sup> (kgf.m <sup>2</sup> )	Matching cylinder 적용실린더	Matching hard jaw 적용하드쥬	Matching soft jaw 적용소프트쥬
CAHA-06	63(6426)	6000	13.7	2.45(0.25)	YSH·YAH-06	HJ-06T1	SJ-06T1
CAHA-08	94(9597)	5000	23.6	6.90(0.71)	YSH·YAH-08	HJ-08T1	SJ-08T1
CAHA-10	125(12740)	4200	40	12.65(1.29)	YSH·YAH-10	HJ-10T1	SJ-10T1
CAHA-12	147(15000)	3300	64	30.00(3.06)	YSH·YAH-12	HJ-12A1	SJ-12A1
CAHA-15	180(18355)	2500	127	93.55(9.54)	YSH-15	HJ-15T1	SJ-15A1
CAHA-18	180(18355)	2000	178	187.30(19.1)	YSH-15	HJ-15T1	SJ-15A1
CAHA-21	234(23861)	1700	246	362.83(37.0)	YSH-15	HJ-21B1	SJ-21A1
CAHA-24	234(23861)	1400	304	660.94(66.4)	YSH-15	HJ-21B1	SJ-21A1
CAHA-32	240(24464)	1200	547	598.4(61)	YSH-21	-	-

## OUTWARD DRAWING 외형도



## DIMENSION 치수표

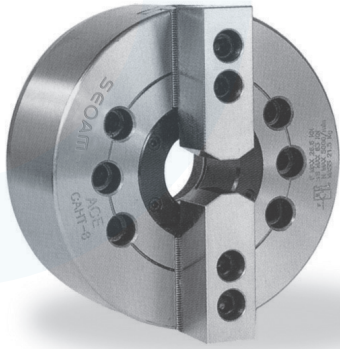
Model 형식	A	B	C	D	E	F	G	H	J	K	L	M	N max	N min
CAHA-06	169	90	140	82.563	15	5	116	104.8	46	6-M10	16	20	33.5	30.7
CAHA-08	210	103	170	106.375	17	5	150	133.4	52	6-M12	18	25	41.7	37.9
CAHA-10	254	113	220	139.719	18	5	190	171.4	77	6-M16	24	30	54.5	50.3
CAHA-12	304	127	220	139.719	18	6	190	171.4	91	6-M16	25	30	62.1	56.7
CAHA-15	381	149	300	196.869	22	6	260	235	118	6-M20	28	43	82	76.7
CAHA-18	450	149	380	196.869	22	6	320	235	118	6-M20	28	43	82	76.7
CAHA-21	530	161	380	285.775	27	6	330.2	330.2	140	6-M22	34	60	98.5	93.2
CAHA-24	610	170	380	285.775	27	6	330.2	330.2	165	6-M22	35	60	108.4	103.2
CAHA-32	800	186	520	285.777	42	6	463.6	463.6	240	6-M24	31	38	153.5	144.5

Model 형식	O max	O min	P max	P min	Q	R	S	T	U max	V	W	X	Y	Z
CAHA-06	23	10	27	14	31	12	19	2	M55X2.0	3-M6	60	20	33	66
CAHA-08	27	10	33.5	15.5	39	14	20.5	2	M60X2.0	3-M6	66	30	39	86
CAHA-10	31	12	27.5	7.5	44	16	27	2	M85X2.0	3-M8	94	30	45	108
CAHA-12	45	15	28	4	50	21	28	2	M100X2.0	3-M8	108	30	51	111
CAHA-15	43.8	18.3	33	10	62	22	39	5	M130X2.0	3-M10	139	60	70	165
CAHA-18	73.8	18.3	33	10	62	22	39	5	M130X2.0	3-M10	139	60	70	165
CAHA-21	87.5	21.5	38	15	65	25	39	5	M155X3.0	3-M12	166	80	73	180
CAHA-24	117.5	21.5	47	24	65	25	40	5	M175X3.0	3-M12	187	80	73	180
CAHA-32	190.6	19.5	71	37	75	25.5	40	10.4	M250X3.0	3-M12	260	80	83.6	160

※치수 및 사양은 예고없이 변경 될 수 있습니다.  
 ※Specifications are subject to change without notice.

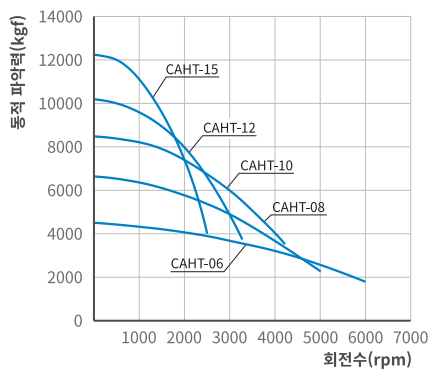


## CAHT

2-조고속중공형파워척  
2-JAW BIG BORE POWER CHUCK

- 이형공작물파악 ○ Clamping of Irregular Work
- 고성능·고정도 ○ High Performance and High Accuracy
- 고속화실현 ○ High Speed

## DYNAMIC GRIPPING FORCE 동적파악력선도



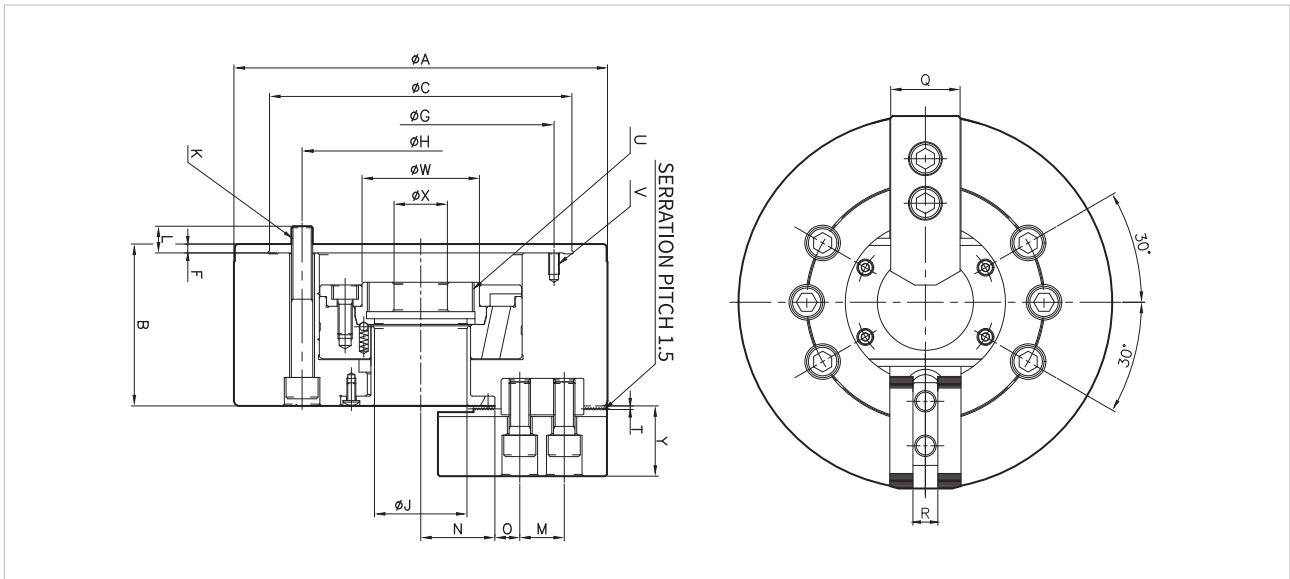
※ 척의 오랜 수명을 유지하기 위해 최소 일2회 이상 그리스를 주입하여 주십시오.  
 ※ It is recommended to grease chucks at least twice a day in order to maximize longevity.

## SPECIFICATIONS 사양표

Model 형식	Order NO. 오더번호	Spindle nose NO. 주축규격	Thru-hole (Diameter) 관통경(직경) mm	Jaw stroke (Diameter) 조스트로크(직경) mm	Plunger stroke 플런저스트로크 mm	Gripping Dia(External gripping) 파악경(외경파악)mm		Max. permissible input force 허용실린더력 KN(kgf)
						Max 최대	Min 최소	
CAHT-06	1AHT06	A2-5	46	5.5	13	169	13	16.6(1700)
CAHT-08	1AHT08	A2-6	52	7.6	18	210	11	26.6(2720)
CAHT-10	1AHT10	A2-8	77	8.5	20	254	31	33.3(3400)
CAHT-12	1AHT12	A2-8	91	10.2	24	304	34	39(3995)
CAHT-15	1AHT15	A2-11	118	10.6	23	381	30	47(4793)

Model 형식	Max. static gripping force 최대정적파악력 KN(kgf)	Max. permissible speed 최고사용회전수 r.p.m(min <sup>-1</sup> )	Weight (With standard soft jaws) 중량(표준소프트조포함) kg	GD <sup>2</sup> Moment of inertia N·m <sup>2</sup> (kgf·m <sup>2</sup> )	Matching cylinder 적용실린더	Matching soft jaw 적용소프트조
CAHT-06	42(4284)	6000	12.3	2.20(0.22)	YSH·YAH-06	SJ-06T1
CAHT-08	63(6398)	5000	21.7	6.86(0.70)	YSH·YAH-08	SJ-08T1
CAHT-10	83.3(8493)	4200	33.7	12.55(1.28)	YSH·YAH-10	SJ-10T1
CAHT-12	100(10200)	3300	51	26.47(2.7)	YSH·YAH-12	SJ-12A1
CAHT-15	120(12236)	2500	115	87.25(8.90)	YSH-15	SJ-15T1

## OUTWARD DRAWING 외형도



## DIMENSION 치수표

Model 형식	A	B	C	F	G	H	J	K	L	M	N max	N min
CAHT-06	169	80	140	5	116	104.8	46	6-M10	12	20	33.5	30.7
CAHT-08	210	91	170	5	150	133.4	52	6-M12	15	25	41.7	37.9
CAHT-10	254	100	220	5	190	171.4	77	6-M16	17	30	54.5	50.3
CAHT-12	304	115	220	6	190	171.4	91	6-M16	18	30	62.1	56.7
CAHT-15	381	133	300	6	260	235	118	6-M20	30	43	82	76.7

Model 형식	O max	O min	P max	P min	Q	R	S	T	U max	V	W	X	Y	Z
CAHT-06	23	10	12	-1	31	12	19	2	M55X2.0	3-M6	60	20	33	66
CAHT-08	27	10	16.5	-1.5	39	14	20.5	2	M60X2.0	3-M6	66	30	39	86
CAHT-10	31	12	9.5	-10.5	44	16	27	2	M85X2.0	3-M8	94	30	45	108
CAHT-12	45	15	10	-14	50	21	28	2	M100X2.0	3-M8	108	30	51	111
CAHT-15	43.75	18.25	11	-12	62	22	39	5	M130X2.0	3-M10	139	60	70	165

※치수 및 사양은 예고없이 변경 될 수 있습니다.  
 ※Specifications are subject to change without notice.

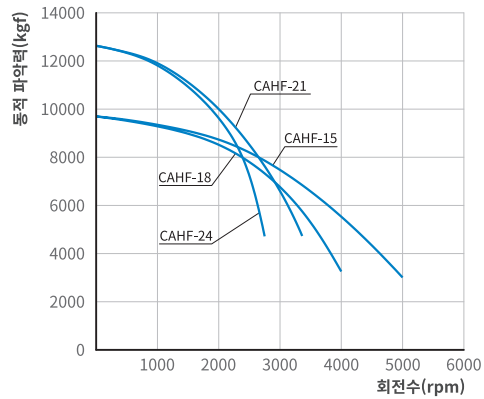
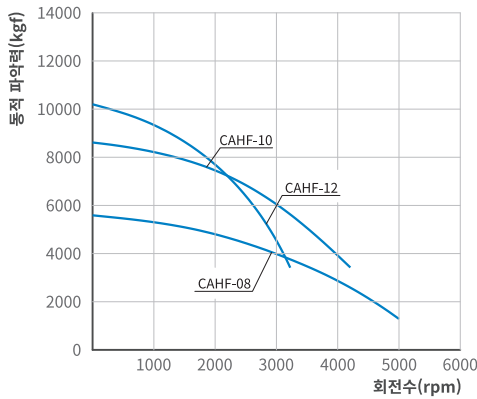
# CAHF

## 4-조고속중공형파워척 4-JAW BIG BORE POWER CHUCK



- 이형공작물파악 ○ Clamping of Irregular Work
- 고성능 · 고정도 ○ High Performance and High Accuracy
- 스피들직장형 ○ Spindle Direct-Mounting Type

### DYNAMIC GRIPPING FORCE 동적파악력선도



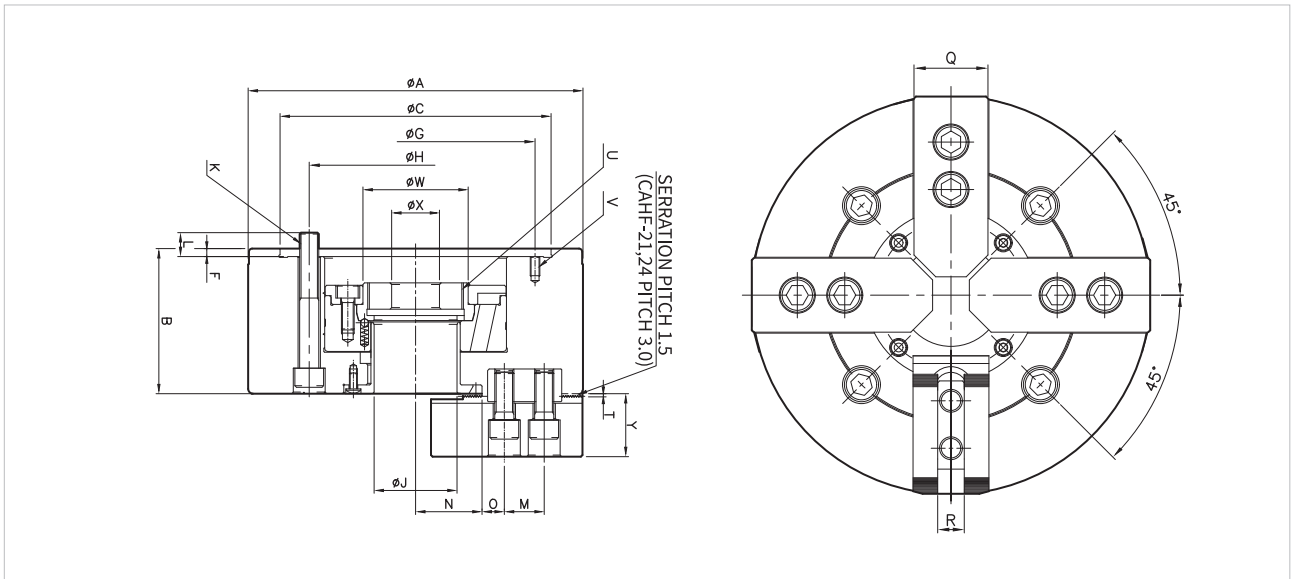
※ 척의 오랜 수명을 유지하기 위해 최소 일2회 이상 그리스를 주입하여 주십시오.  
 ※ It is recommended to grease chucks at least twice a day in order to maximize longevity.

### SPECIFICATIONS 사양표

Model 형식	Order NO. 오더번호	Spindle nose NO. 주축규격	Thru-hole (Diameter) 관통경(직경) mm	Jaw stroke (Diameter) 조스트로크(직경) mm	Plunger stroke 플런저스트로크 mm	Gripping Dia(External gripping) 파악경(외경파악)mm		Max. permissible input force 허용실린더력 KN(kgf)
						Max 최대	Min 최소	
CAHF-08	1AHF08	A2-6	52	7.6	18	210	25	26.6(2720)
CAHF-10	1AHF10	A2-8	77	8.5	20	254	31	33.3(3400)
CAHF-12	1AHF12	A2-8	91	10.2	24	304	55	39(3995)
CAHF-15	1AHF15	A2-11	118	10.6	23	381	36	47(4793)
CAHF-18	1AHF18	A2-11	118	10.6	23	450	36	47(4793)
CAHF-21	1AHF21	A2-15	140	10.6	23	530	74	60(6120)
CAHF-24	1AHF24	A2-15	165	10.6	23	610	94	60(6120)

Model 형식	Max. static gripping force 최대정적파악력 KN(kgf)	Max. permissible speed 최고사용회전수 r.p.m.(min <sup>-1</sup> )	Weight (With standard soft jaws) 중량(표준소프트조포함) kg	GD <sup>2</sup> Moment of inertia N·m <sup>2</sup> (kgf·m <sup>2</sup> )	Matching cylinder 적용실린더	Matching hard jaw 적용하드조	Matching soft jaw 적용소프트조
CAHF-08	58(5845)	4500	23	6.86(0.7)	YSH·YAH-08	HJ-08T1	SJ-08T1
CAHF-10	86(8775)	4200	34.7	12.85(1.31)	YSH·YAH-10	HJ-10T1	SJ-10T1
CAHF-12	102(10408)	3300	55.7	28.73(2.93)	YSH·YAH-12	HJ-12A1	SJ-12A1
CAHF-15	120(12236)	2500	115	87.28(8.9)	YSH-15	HJ-15T1	SJ-15T1
CAHF-18	120(12236)	2000	159	165.73(16.9)	YSH-15	HJ-15T1	SJ-15T1
CAHF-21	156(15974)	1700	235	351(35.8)	YSH-15	HJ-21B1	SJ-21T1
CAHF-24	156(15974)	1400	302	651(66.4)	YSH-15	HJ-21B1	SJ-21T1

## OUTWARD DRAWING 외형도



## DIMENSION 치수표

Model 형식	A	B	C	F	G	H	J	K	L	M	N max	N min
CAHF-08	210	91	170	5	150	133.4	52	4-M12	15	25	41.7	37.9
CAHF-10	254	100	220	5	190	171.4	77	4-M16	17	30	54.5	50.3
CAHF-12	304	115	220	6	190	171.4	91	4-M16	18	30	62.1	56.7
CAHF-15	381	133	300	6	260	235	118	4-M20	30	43	82	76.7
CAHF-18	450	133	380	6	320	235	118	4-M20	30	43	82	76.7
CAHF-21	530	140	380	6	330.2	330.2	140	4-M22	34	60	98.5	93.2
CAHF-24	610	149	380	6	330.2	330.2	165	8-M22	32	60	108.4	103.2

Model 형식	O max	O min	P max	P min	Q	R	S	T	U max	V	W	X	Y	Z
CAHF-08	27	10	16.5	-1.5	39	14	20.5	2	M60X2.0	4-M6	66	30	39	86
CAHF-10	31	12	9.5	-10.5	44	16	27	2	M85X2.0	4-M8	94	30	45	108
CAHF-12	45	15	10	-14	50	21	28	2	M100X2.0	4-M8	108	30	51	111
CAHF-15	43.75	18.25	11	-12	62	22	39	5	M130X2.0	6-M10	139	60	70	165
CAHF-18	78.25	18.25	11	-12	62	22	39	5	M130X2.0	4-M10	139	60	70	165
CAHF-21	87.5	21.5	11	-12	65	25	39	4	M155X3.0	4-M12	170	80	73	180
CAHF-24	117.5	21.5	47	24	65	25	40	4	M175X3.0	3-M12	187	80	64	180

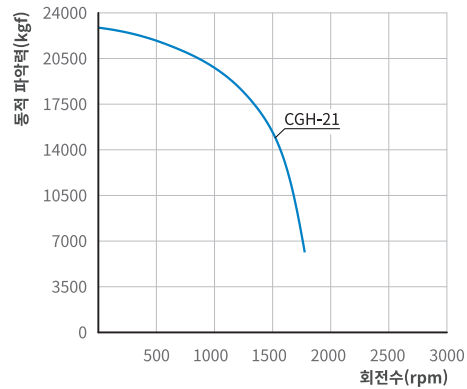
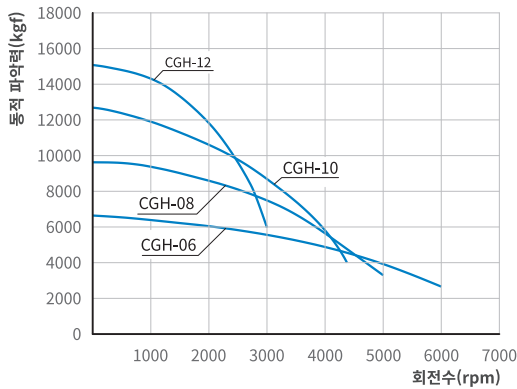
※치수 및 사양은 예고없이 변경 될 수 있습니다.  
 ※Specifications are subject to change without notice.





- 관통경확대      ○ Enlargement of Through Hole
- 경량화실현      ○ Light Weight
- 고성능·고정도      ○ High Performance and High Accuracy
- 고속화실현      ○ High Speed

## DYNAMIC GRIPPING FORCE 동적파악력선도



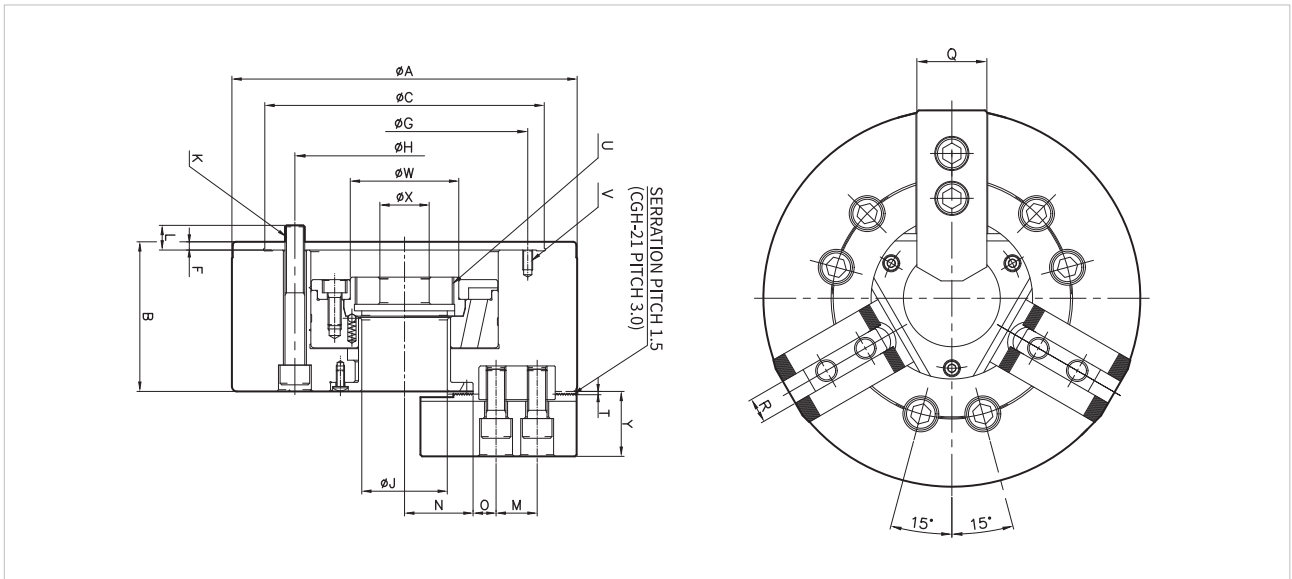
※ 척의 오랜 수명을 유지하기 위해 최소 일2회 이상 그리스를 주입하여 주십시오.  
※ It is recommended to grease chucks at least twice a day in order to maximize longevity.

## SPECIFICATIONS 사양표

Model 형식	Order NO. 오더번호	Spindle nose NO. 주축규격	Thru-hole (Diameter) 관통경(직경) mm	Jaw stroke (Diameter) 조스트로크(직경) mm	Plunger stroke 플런저스트로크 mm	Gripping Dia(External gripping) 파악경(외경파악)mm		Max. permissible input force 허용실린더력 KN(kgf)
						Max 최대	Min 최소	
CGH-06	1GH06	A2-5	52	5.5	13	169	13	25(2550)
CGH-08	1GH08	A2-6	66	7.6	18	210	11	38(3900)
CGH-08B	1GH08B	A2-6	72	7.6	18	210	11	38(3900)
CGH-10	1GH10	A2-8	82	8.5	20	254	31	50(5100)
CGH-12	1GH12	A2-11	103	10.2	24	315	45	55(5610)
CGH-18	1GH18	A2-15	166.5	11.5	25	457	75	71(244)
CGH-21	1GH21	A2-15	166.5	10.6	23	530	82	90(9177)

Model 형식	Max. static gripping force 최대정적파악력 KN(kgf)	Max. permissible speed 최고사용회전수 r.p.m.(min <sup>-1</sup> )	Weight (With standard soft jaws) 중량(표준소프트조포함) kg	GD <sup>2</sup> Moment of inertia N·m <sup>2</sup> (kgf·m <sup>2</sup> )	Matching cylinder 적용실린더	Matching hard jaw 적용하드조	Matching soft jaw 적용소프트조
CGH-06	60(6120)	6000	11.9	2.26(0.23)	YSGH-06	HJ-06T1	SJ-06T1
CGH-08	94(9597)	5000	23	5.59(0.57)	YSGH-08	HJ-08T1	SJ-08T1
CGH-08B	94(9597)	5000	23	5.59(0.57)	YSGH-08	HJ-08T1	SJ-08T1
CGH-10	120(12240)	4500	32	12.83(1.31)	YSGH-10	HJ-10T1	SJ-10T1
CGH-12	145(15000)	3000	48	2.95	YSGH-12	HJ-12T1	SJ-12T1
CGH-18	180(18367)	2000	170	17.8	YSHL-21	HJ-15T1	SJ-15A1
CGH-21	220(22460)	1700	228	35.8	YSHL-21	HJ-21B1	SJ-21A1

## OUTWARD DRAWING 외형도



## DIMENSION 치수표

Model 형식	A	B	C	F	H	J	K	L	M	N max	N min	O max	O min
CGH-06	175	81	140	5	104.8	52	6-M10	16	20	36.9	34.1	21	8
CGH-08	210	91	170	5	133.4	66	6-M12	17	25	46.2	42.4	23.25	10.25
CGH-08B	210	91	190	5	171.4	72	6-M12	17	25	48.57	44.75	21	11
CGH-10	254	100	220	5	171.4	82	6-M16	17	30	56.27	52.2	31	12
CGH-12	315	110	300	6	235	103	6-M20	30	30	68.64	63.54	45.75	13.75
CGH-18	457	135	380	6	330.2	166.5	6-M22	34	43	109.7	103.9	55	17
CGH-21	530	140	380	6	330.2	166.5	6-M22	33	60	111.9	106.6	73.1	13.6

Model 형식	P max	P min	Q	R	S	T	U max	V	W	X	Y	Z
CGH-06	12	-1	31	12	19	2	M60×2.0	3-M6	66	20	33.5	72
CGH-08	7	-11	39	14	27	2	M75×2.0	3-M6	80	30	39	95
CGH-08B	10	-8	35	14	27	2	M75×2.0	3-M6	88	30	39.5	95
CGH-10	9.5	-10.5	44	16	27	2	M90×2.0	3-M8	98	30	45	110
CGH-12	8	-16	49	21	28	2.5	M112×2.0	3-M10	124	66	51.3	111
CGH-18	13	-12	62	22	39.0	5.0	M180×3.0	3-M12	196.5	80	70	165
CGH-21	11	-12	65	25	39	5	M180×3.0	3-M12	196.5	80	73	180

※치수 및 사양은 예고없이 변경 될 수 있습니다.  
 ※Specifications are subject to change without notice.

## CGHA

대관통경중공형파워척(아답터부착형)  
GREAT BORE POWER CHUCK(WITH ADAPTER)



- 고성능 · 고정도    ○ High Performance and High Accuracy
- 아답터부착형    ○ Spindle Direct-Mounting Type
- 교체시간단축    ○ Minimize changing time
- 옵션부착용이    ○ Convenient Attachment Option

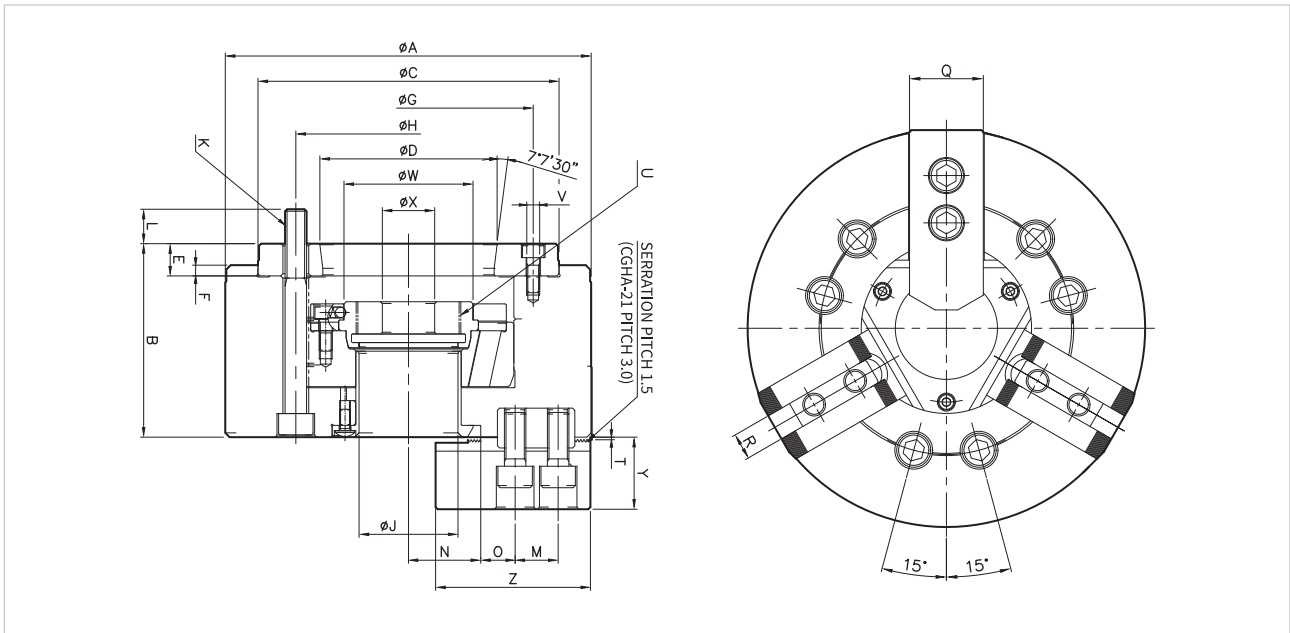
※ 척의 오랜 수명을 유지하기 위해 최소 일2회 이상 그리스를 주입하여 주십시오.  
※ It is recommended to grease chucks at least twice a day in order to maximize longevity.

## SPECIFICATIONS 사양표

Model 형식	Order NO. 오더번호	Spindle nose NO. 주축규격	Thru-hole (Diameter) 관통경(직경) mm	Jaw stroke (Diameter) 쥬스트로크(직경) mm	Plunger stroke 플린저스트로크 mm	Gripping Dia.(External gripping) 파악경(외경파악)mm		Max. permissible input force 허용실린더력 KN(kgf)
						Max 최대	Min 최소	
CGHA-06	1GHA06	A2-5	53	5.5	13	169	13	25(2550)
CGHA-08	1GHA08	A2-6	66	7.6	18	210	11	38(3900)
CGHA-08B	1GHA08B	A2-6	72	7.6	18	210	11	38(3900)
CGHA-10	1GHA10	A2-8	82	8.5	20	254	31	50(5100)
CGHA-12	1GHA12	A2-11	103	10.2	24	315	45	55(5610)
CGHA-21	1GHA21	A2-15	166.5	10.6	23	530	82	90(9177)

Model 형식	Max. static gripping force 최대정적파악력 KN(kgf)	Max. permissible speed 최고사용회전수 r.p.m.(min <sup>-1</sup> )	Weight (With standard soft jaws) 중량(표준소프트쥬포함) kg	GD <sup>2</sup> Moment of inertia N·m <sup>2</sup> (kgf·m <sup>2</sup> )	Matching cylinder 적용실린더	Matching hard jaw 적용하드쥬	Matching soft jaw 적용소프트쥬
CGHA-06	60(6120)	6000	13.7	2.45(0.25)	YSGH-06	HJ-06T1	SJ-06T1
CGHA-08	94(9597)	5000	23.6	6.90(0.71)	YSGH-08	HJ-08T1	SJ-08T1
CGHA-08B	94(9597)	5000	23.6	6.90(0.71)	YSGH-08	HJ-08T1	SJ-08T1
CGHA-10	120(12240)	4500	40	12.65(1.29)	YSGH-10	HJ-10T1	SJ-10T1
CGHA-12	145(15000)	3000	55	2.95	YSGH-12	HJ-12A1	SJ-12A1
CGHA-21	220(22460)	1700	239	35.8	YSHL-21	HJ-21B1	SJ-21A1

## OUTWARD DRAWING 외형도



## DIMENSION 치수표

Model 형식	A	B	C	D	E	F	G	H	J	K	L	M	O max	O min
CGHA-06	175	91	140	82.563	15	5	116	104.8	52	6-M10	16	20	36.9	34.1
CGHA-08	210	111	170	106.375	26	5	150	133.4	66	6-M12	21	25	46.2	42.4
CGHA-08B	210	111	170	106.375	26	5	150	133.4	72	6-M12	21	25	48.57	44.75
CGHA-10	254	113	220	139.719	18	5	190	171.4	82	6-M16	24	30	56.27	52.2
CGHA-12	315	126	300	196.869	34	6	260	235	103	6-M20	28	30	68.64	63.54
CGHA-21	530	174	380	285.77	40	6	330.2	166.5	166.5	6-M22	33	60	111.9	106.6

Model 형식	O max	O min	P max	P min	Q	R	S	T	U max	V	W	X	Y	Z
CGHA-06	21	8	12	-1	31	12	19	2	M60X2.0	3-M6	66	20	33.5	72
CGHA-08	23,25	10.25	7	-11	39	14	20.5	2	M75X2.0	3-M6	80	30	39	95
CGHA-08B	21	11	10	-8	35	14	27	2	M75X2.0	3-M6	88	30	39.5	95
CGHA-10	31	12	9.5	-10.5	44	16	27	2	M90X2.0	3-M8	98	30	45	110
CGHA-12	45	13.75	8	-16	49	21	30	2.5	M112X2.0	3-M10	124	66	51.3	111
CGHA-21	73.1	13.6	11	-12	65	25	39	5	M180X3.0	3-M12	196.5	80	73	180

※치수 및 사양은 예고없이 변경될 수 있습니다.  
 ※Specifications are subject to change without notice.



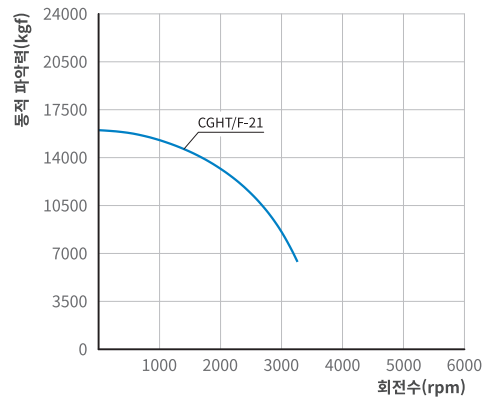
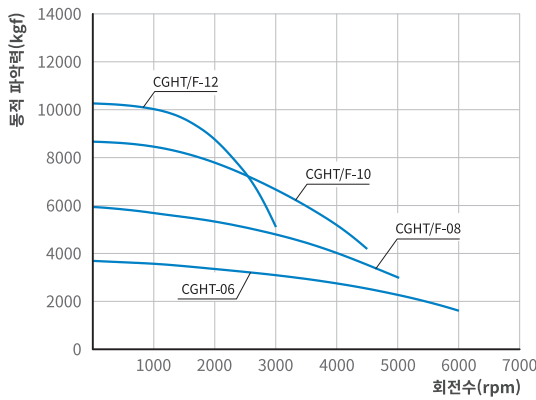
# CGHT·CGHF

2-조, 4-조대관통경중공형파워척  
2-JAW, 4-JAW GREAT BORE POWER CHUCK



- 고성능 · 고정도    ○ High Performance and High Accuracy
- 교체시간단축    ○ Minimize changing time
- 옵션부착용이    ○ Convenient Attachment Option

## DYNAMIC GRIPPING FORCE 동적파악력선도



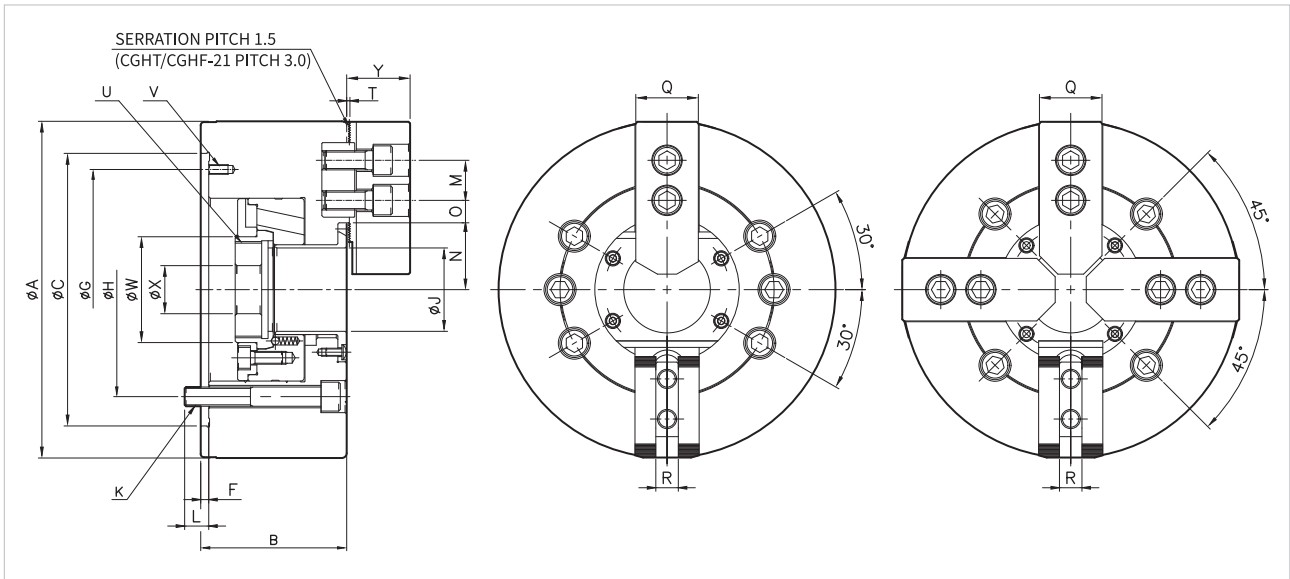
※ 척의 오랜 수명을 유지하기 위해 최소 일2회 이상 그리스를 주입하여 주십시오.  
※ It is recommended to grease chucks at least twice a day in order to maximize longevity.

## SPECIFICATIONS 사양표

Model 형식	Order NO. 오더번호	Spindle nose NO. 주축규격	Thru-hole (Diameter) 관통경(직경) mm	Jaw stroke (Diameter) 조스트로크(직경) mm	Plunger stroke 플런저스트로크 mm	Gripping Dia(External gripping) 파악경(외경파악)mm		Max. permissible input force 허용실린더력 KN(kgf)
						Max 최대	Min 최소	
CGHT-06	1GHT06	A2-5	52	5.5	13	169	13	17(1733)
CGHT/CGHF-08	1GHT08/1GHF08	A2-6	66	7.6	18	210	11	23.25(2397)
CGHT/CGHF-10	1GHT10/1GHF10	A2-8	82	8.5	20	254	31	42(4282)
CGHT/CGHF-12	1GHT12/1GHF12	A2-11	103	10.2	24	315	45	48(4894)
CGHT/CGHF-21	1GHT21/1GHF21	A2-15	166.5	10.6	23	530	82	60(6117)

Model 형식	Max. static gripping force 최대정적파악력 KN(kgf)	Max permissible speed 최고사용회전수 r.p.m(min <sup>-1</sup> )	Weight (With standard soft jaws) 중량(표준소프트조포함) kg	GD <sup>2</sup> Moment of inertia N·m <sup>2</sup> (kgf·m <sup>2</sup> )	Matching cylinder 적용실린더	Matching hard jaw 적용하드조	Matching soft jaw 적용소프트조
CGHT-06	38(3875)	6000	12.5	0.23	YSGH-06	HJ-06T1	SJ-06T1
CGHT/CGHF-08	58(5955)	5000	23	0.57	YSGH-08	HJ-08T1	SJ-08T1
CGHT/CGHF-10	83(8463)	4500	32	1.31	YSGH-10	HJ-10T1	SJ-10T1
CGHT/CGHF-12	104(10605)	3000	55	2.95	YSGH-12	HJ-12T1	SJ-12A2
CGHT/CGHF-21	156(15907)	1700	235	351.2(35.8)	YSHL-21	HJ-21B1	SJ-21A1

## OUTWARD DRAWING 외형도



## DIMENSION 치수표

Model 형식	A	B	C	F	H	J	K	L	M	N max	N min	O max	O min
CGHT-06	175	81	140	5	104.8	52	6-M10	16	20	36.9	34.1	21	8
CGHT/CGHF-08	210	91	170	5	133.4	66	6/4-M12	17	25	46.2	42.4	23.25	10.25
CGHT/CGHF-10	254	100	220	5	171.4	82	6/4-M16	17	30	56.39	52	31	12
CGHT/CGHF-12	315	110	300	6	235	103	6/4-M20	30	30	68.6	63.5	45.7	13.7
CGHT/CGHF-21	530	140	380	6	330.2	166.5	6/8-M22	33	60	111.9	106.6	73.1	13.6

Model 형식	P max	P min	Q	R	S	T	U max	V	W	X	Y	Z
CGHT-06	12	-1	31	12	19	2	M60X2.0	4-M6	66	20	33.5	72
CGHT/CGHF-08	7	-11	39	14	27	2	M75X2.0	4-M6	80	30	39	95
CGHT/CGHF-10	9.5	-10.5	45	16	27	2	M90X2.0	4-M8	98	30	46	110
CGHT/CGHF-12	8	-16	49	21	28	2.5	M112X2.0	4-M10	124	66	51.3	111
CGHT/CGHF-21	11	-12	65	25	39	5	M175X3.0	4M-12	196.5	80	73	180

※치수 및 사양은 예고없이 변경 될 수 있습니다.  
 ※Specifications are subject to change without notice.

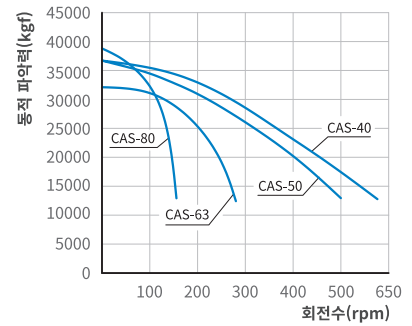
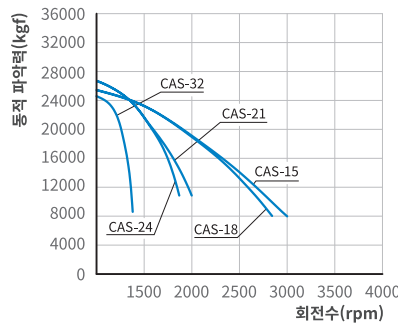
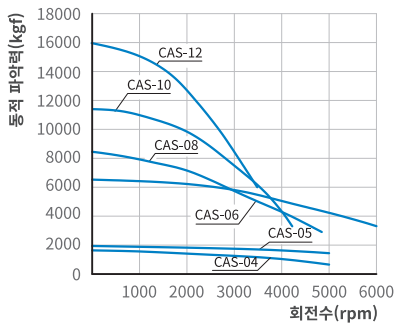
# CAS

## 고속중실형파워척 CLOSED CENTER POWER CHUCK



- 경제적인모델
- Economical Model
- 고속화실현
- High Speed
- 내구성확보
- Durability
- 호환성확보
- Compatibility

### DYNAMIC GRIPPING FORCE 동적파악력선도



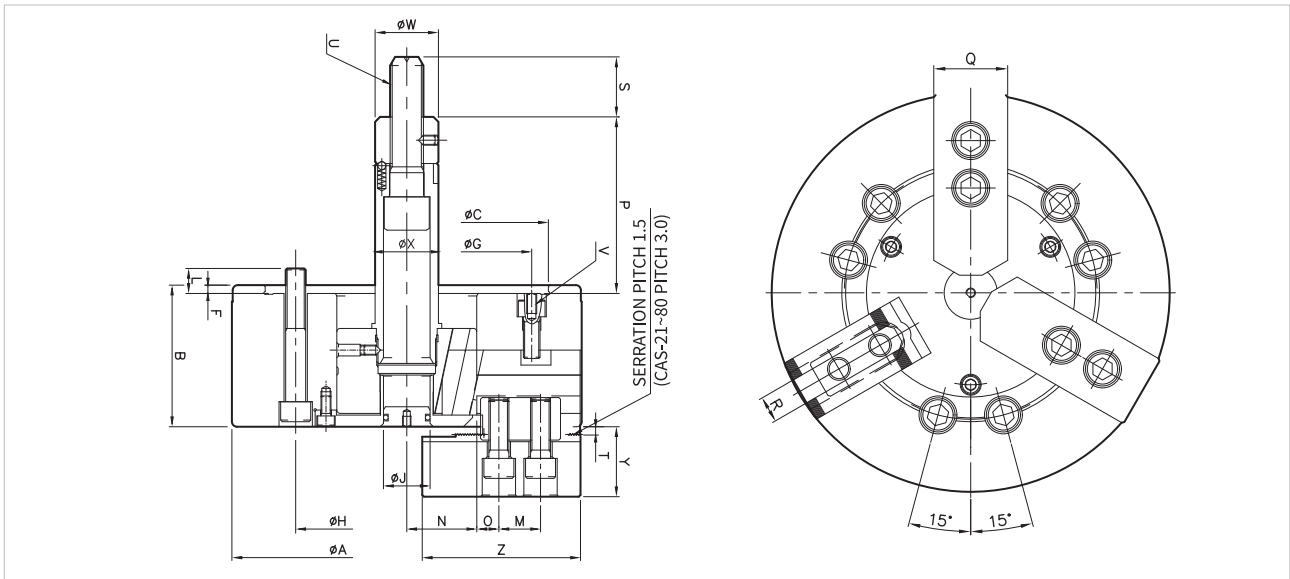
### SPECIFICATIONS 사양표

※ 척의 오랜 수명을 유지하기 위해 최소 일2회 이상 그리스를 주입하여 주십시오.  
 ※ It is recommended to grease chucks at least twice a day in order to maximize longevity.

Model 형식	Order NO. 오더번호	Spindle nose NO. 주축규격	Jaw stroke (Diameter) 쥬스트로크(직경) mm	Plunger stroke 플린저스트로크 mm	Gripping Dia(External gripping) 파악경(외경파악)mm		Max. permissible input force 허용실린더력 KN(kgf)
					Max 최대	Min 최소	
CAS-04	10104	-	5	15	110	6	4.4(445)
CAS-05	10105	-	5	15	135	15	6.4(647)
CAS-06	1AS06	A2-5	9.2	20	165	19	19(1938)
CAS-08	1AS08	A2-6	8.8	21	210	23	28(2856)
CAS-10	1AS10	A2-8	8.8	25	254	24	32.5(3315)
CAS-12	1AS12	A2-8	10.5	30	304	26	41.5(4233)
CAS-15	1AS15	A2-8, 11	16	35	381	60	81.9(8362)
CAS-18	1AS18	A2-8, 11	16	35	450	140	81.9(8362)
CAS-21	1AS21	A2-11, 15	16	35	530	82	81.9(8362)
CAS-24	1AS24	A2-11, 15	16	35	610	170	81.9(8362)
CAS-32	1AS32	-	20.6	38	800	211	100(10200)
CAS-40	1AS40	-	30.5	57	1000	330	161(16450)
CAS-50	1AS50	-	30.5	57	1250	330	161(16450)
CAS-63	1AS63	-	48	60	1600	-	180(18367)
CAS-80	1AS80	-	48	60	2000	-	196(20000)

Model 형식	Max. static gripping force 최대정적파악력 KN(kgf)	Max. permissible speed 최고사용회전수 r.p.m(min <sup>-1</sup> )	Weight (With standard soft jaws) 중량(표준소프트쥬포함) kg	GD <sup>2</sup> Moment of inertia N·m <sup>2</sup> (kgf·m <sup>2</sup> )	Matching cylinder 적용실린더	Matching hard jaw 적용하드쥬	Matching soft jaw 적용소프트쥬
CAS-04	12.1(1224)	5000	4	0.196(0.02)	YAS-65	-	SJ-04T2
CAS-05	17.7(1791)	5000	6	0.56(0.06)	YAS, C, P, T-80	-	SJ-05A1
CAS-06	63(6426)	6000	13	1.77(0.18)	YAS, C, P, T-100	HJ-06T1	SJ-06T1
CAS-08	80(8160)	4800	25	5.39(0.55)	YAS, C, P, T-125	HJ-08T1	SJ-08T1
CAS-10	115(11730)	4100	37	11.17(1.20)	YAS, C, P, T-125	HJ-10T1	SJ-10T1
CAS-12	156(16014)	3400	57.3	28.44(2.90)	YAS, C, P, T-150	HJ-12A1	SJ-12T1
CAS-15	248(25391)	3040	96	70.5(7.2)	YAS, C, P, T-200	HJ-15A3	SJ-15A3
CAS-18	248(25391)	2710	131	95(9.7)	YAS, C, P, T-200	HJ-15A3	SJ-15A3
CAS-21	272(27838)	1940	198	188.2(19.2)	YAS, C, P, T-200	HJ-21B1	SJ-21A1
CAS-24	272(27838)	1760	223	67.8(6.92)	YAS, C, P, T-200	HJ-21B1	SJ-21A1
CAS-32	240(24490)	900	341	23.8(2.43)	YASTL-200	HJ-32A1	SJ-32A1
CAS-40	361(36836)	630	670	68(7.03)	YAST-245	HJ-40A1	SJ-40A1
CAS-50	361(36836)	500	800	145(14.78)	YAST-245	HJ-40A1	SJ-40A1
CAS-63	320(32653)	280	1600	500(50.97)	YAST-245	-	-
CAS-80	390(39800)	150	3200	-	-	-	-

## OUTWARD DRAWING 외형도



## DIMENSION 치수표

Model 형식	A	B	C	F	G	H	J	K	L	M	N max	N min
CAS-04	110	52	60	6	-	80	-	3-M8	16.5	14	26	23.5
CAS-05	135	52	80	7	-	100	-	3-M8	16.5	19	32	29.5
CAS-06	169	74	140	5	116	104.8	23	6-M10	14	20	41	36.7
CAS-08	210	85	170	5	150	133.4	28	6-M12	15	25	46.3	41.9
CAS-10	254	89	220	5	190	171.4	34	6-M16	18	30	51.1	46.7
CAS-12	304	106	220	6	190	171.4	39	6-M16	18	30	61	55.7
CAS-15	381	114	300	6	260	235	27	6-M20	20	43	73	65
CAS-18	450	114	300	6	260	235	27	6-M20	20	43	106.5	98.5
CAS-21	530	125	380	6	330	330.2	27	6-M22	26	60	86	78
CAS-24	610	125	380	6	330	330.2	27	6-M22	26	60	124.5	116.5
CAS-32	800	150	380	6	-	330.2	-	6-M24	31	76.2	88	77.7
CAS-40	1000	180	520	8	-	510	-	6-M24	34	100	145	129.8
CAS-50	1250	180	520	8	-	453.6	-	6-M24	32	100	145	129.8
CAS-63	1600	220	720	8	-	648	-	6-M30	46	-	-	-
CAS-80	2000	250	720	10	-	1120	-	6-M30	58	152.4	-	-

Model 형식	O max	O min	P max	P min	Q	R	S	T	U	V	W	X	Y	Z
CAS-04	10	7	5	-10	25	10	25	3	M10X1.5	-	25	-	27	54
CAS-05	11.5	7	9	-6	25	10	36	3	M12X1.75	-	28	-	27	58.5
CAS-06	13	7	101.5	81.5	31	12	36	4	M16X2.0	3-M6	32	32	35	72
CAS-08	22.5	9	127	106	39	14	36	5	M20X2.5	3-M6	38	38	43	95
CAS-10	30.7	11.2	158	133	44	16	36	5	M20X2.5	3-M8	38	44	50	110
CAS-12	48.7	12.7	163	133	50	18	36	5	M20X2.5	3-M8	38	50	54	111
CAS-15	54.7	15.7	104	69	50	25.5	55	6	M30X3.5	3-M10	55	60	60	135
CAS-18	48.5	23.2	92	57	50	25.5	55	6	M30X3.5	3-M10	55	60	60.3	135
CAS-21	93.5	27.5	97	62	65	25	55	6	M30X3.5	3-M12	55	60	71	180
CAS-24	93.5	27.5	97	62	65	25	55	6	M30X3.5	3-M12	55	60	71	180
CAS-32	-	-	35	-3	75	25.5	60	8	M30X3.5	-	55	114	83	165
CAS-40	-	-	53	-3	98	30	65	-4	M36X4.0	-	60	-	106	200
CAS-50	-	-	35	-22	98	30	68	-4	M36X4.0	-	60	-	106	200
CAS-63	-	-	13	-47	-	-	-	-	M36X4.0	-	-	-	-	-
CAS-80	-	-	23	-37	110	30	68	-4	M42X4.5	-	66	-	105	270

※치수 및 사양은 예고없이 변경 될 수 있습니다.  
 ※Specifications are subject to change without notice.

# CASA

고속중실형파워척(아답터부착형)  
CLOSED CENTER POWER CHUCK(WITH ADAPTER)



- 아답터부착형      ○ Spindle Direct-Mounting Type
- 교체시간단축      ○ Minimize changing time
- 고성능 · 고품질      ○ High Performance and High Quality
- 옵션부착용이      ○ Convenient Attachment Option

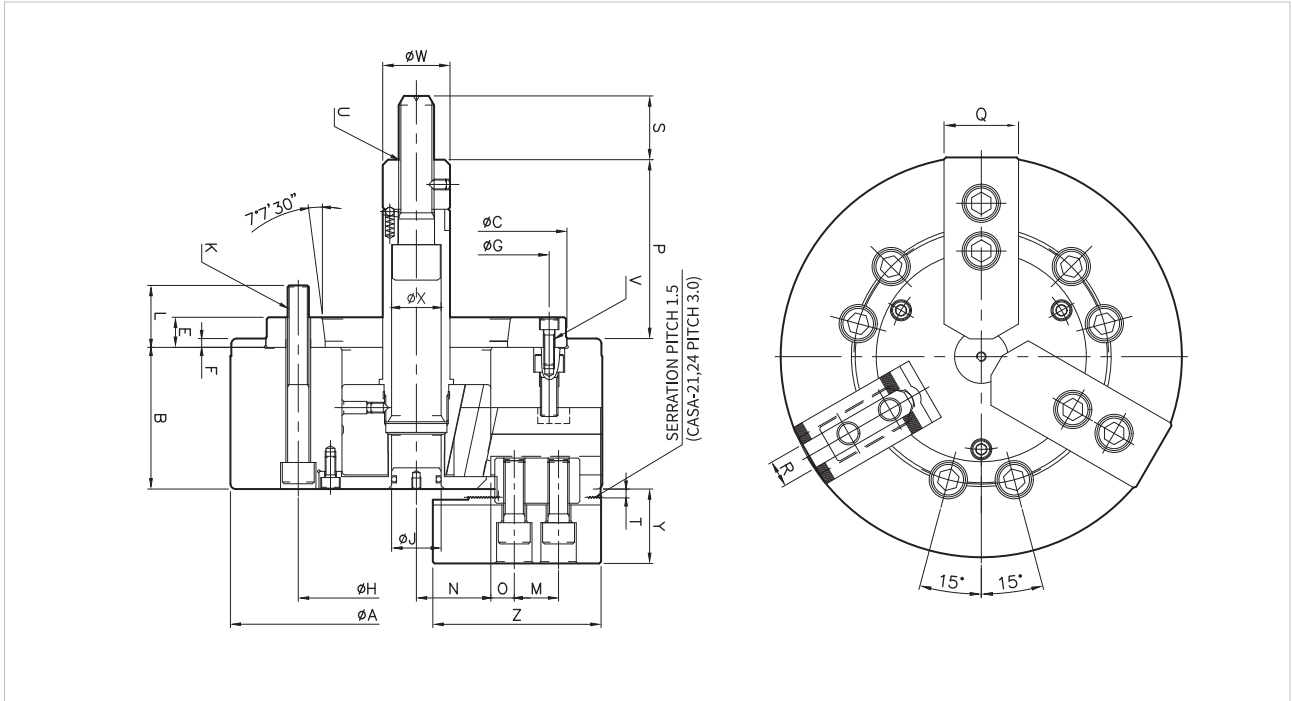
※ 척의 오랜 수명을 유지하기 위해 최소 일2회 이상 그리스를 주입하여 주십시오.  
※ It is recommended to grease chucks at least twice a day in order to maximize longevity.

## SPECIFICATIONS 사양표

Model 형식	Order NO. 오더번호	Spindle nose NO. 주축규격	Jaw stroke (Diameter) 쥬스트로크(직경) mm	Plunger stroke 플런저스트로크 mm	Gripping Dia(External gripping) 파악경(외경파악)mm		Max. permissible input force 허용실린더력 KN(kgf)
					Max 최대	Min 최소	
CASA-06	1ASA06	A2-5	9.2	20	165	19	19(1938)
CASA-08	1ASA08	A2-6	8.8	21	210	23	28(2856)
CASA-10	1ASA10	A2-8	8.8	25	254	24	32.5(3315)
CASA-12	1ASA12	A2-8	10.5	30	304	26	41.5(4233)
CASA-15	1ASA15	A2-11	16	35	381	60	81.9(8362)
CASA-18	1ASA18	A2-11	16	35	450	140	81.9(8362)
CASA-21	1ASA21	A2-11, 15	16	35	530	82	81.9(8362)
CASA-24	1ASA24	A2-11, 15	16	35	610	170	81.9(8362)

Model 형식	Max. static gripping force 최대정적파악력 KN(kgf)	Max. permissible speed 최고사용회전수 r.p.m(min <sup>-1</sup> )	Weight (With standard soft jaws) 중량(표준소프트쥬포함) kg	GD <sup>2</sup> Moment of inertia N · m <sup>2</sup> (kgf · m <sup>2</sup> )	Matching cylinder 적용실린더	Matching hard jaw 적용하드쥬	Matching soft jaw 적용소프트쥬
CASA-06	63(6426)	6000	14	1.96(0.20)	YAS, C, P, T-100	HJ-06T1	SJ-06T1
CASA-08	80(8160)	4800	27	5.79(0.59)	YAS, C, P, T-125	HJ-08T1	SJ-08T1
CASA-10	115(11730)	4100	40	12.84(1.31)	YAS, C, P, T-125	HJ-10T1	SJ-10T1
CASA-12	156(16014)	3400	66	29.52(3.01)	YAS, C, P, T-150	HJ-12A1	SJ-12A2
CASA-15	248(35391)	3040	96	70.5(7.2)	YAS, C, P, T-200	HJ-15A3	SJ-15A3
CASA-18	248(35391)	2710	131	95(9.7)	YAS, C, P, T-200	HJ-15A3	SJ-15A3
CASA-21	272(27838)	1940	198	188.2(19.2)	YAS, C, P, T-200	HJ-21B1	SJ-21A1
CASA-24	272(27838)	1760	223	67.8(6.92)	YAS, C, P, T-200	HJ-21B1	SJ-21A1

## OUTWARD DRAWING 외형도



## DIMENSION 치수표

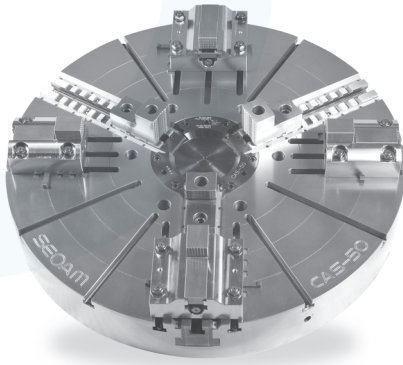
Model 형식	A	B	C	D	E	F	G	H	J	K	L	M	N max	N min
CASA-06	169	84	140	82.563	15	5	116	104.8	23	6-M10	14	20	41	36.7
CASA-08	210	97	170	106.375	17	5	150	133.4	28	6-M12	18	25	46.3	41.9
CASA-10	254	102	220	139.719	18	5	190	171.4	34	6-M16	25	30	51.1	46.7
CASA-12	304	118	220	139.719	18	6	190	171.4	39	6-M16	25	30	61	55.7
CASA-15	381	130	300	196.869	22	6	260	235	27	6-M20	23	43	73	65
CASA-18	450	130	300	196.869	22	6	260	235	27	6-M20	23	43	106.5	98.5
CASA-21	530	146	380	196.869	27	6	330.2	330.2	27	6-M22	28	60	86	78
CASA-24	610	146	380	196.869	27	6	330.2	330.2	27	6-M22	28	60	124.5	117

Model 형식	O max	O min	P max	P min	Q	R	S	T	U	V	W	X	Y	Z
CASA-06	13	7	86.5	66.5	31	12	36	4	M16X2.0	3-M6	32	32	35	72
CASA-08	22.5	9	110	89	39	14	36	5	M20X2.5	3-M6	38	38	43	95
CASA-10	30.7	11.2	140	115	44	16	36	5	M20X2.5	3-M8	38	44	50	110
CASA-12	48.7	12.7	145	115	50	18	36	5	M20X2.5	3-M8	38	50	54	111
CASA-15	54.7	15.7	82	47	50	25.5	55	5	M30X3.5	3-M10	55	60	60	135
CASA-18	48.5	23.2	70	35	50	25.5	55	5	M30X3.5	3-M10	55	60	60.3	135
CASA-21	93.5	27.5	70	35	65	25	55	6	M30X3.5	3-M12	55	60	71	180
CASA-24	93.5	27.5	70	35	65	25	55	6	M30X3.5	3-M12	55	60	71	180

※치수 및 사양은 예고없이 변경 될 수 있습니다.  
 ※Specifications are subject to change without notice.

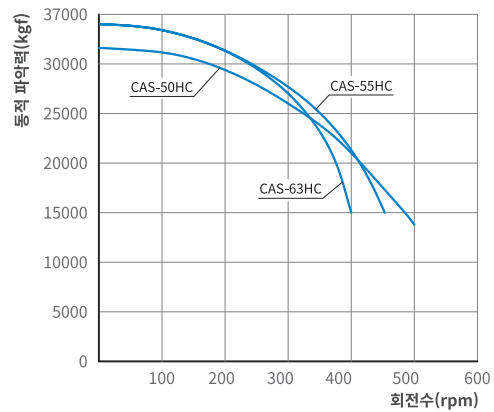
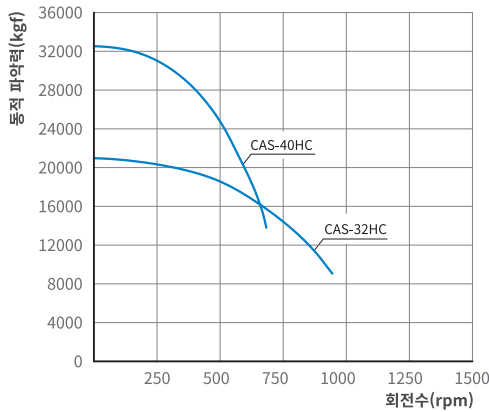
# CAS-HC

고속중실형파워척  
CLOSED CENTER COMBINATION CHUCK(HYDRAULIC+INDEPENDENT)



- 미세조절형      ○ Fine control type
- 고속화실현      ○ High Speed
- 내구성확보      ○ Durability
- 호환성확보      ○ Compatibility

## DYNAMIC GRIPPING FORCE 동적파악력선도



※ 척의 오랜 수명을 유지하기 위해 최소 일2회 이상 그리스를 주입하여 주십시오.  
※ It is recommended to grease chucks at least twice a day in order to maximize longevity.

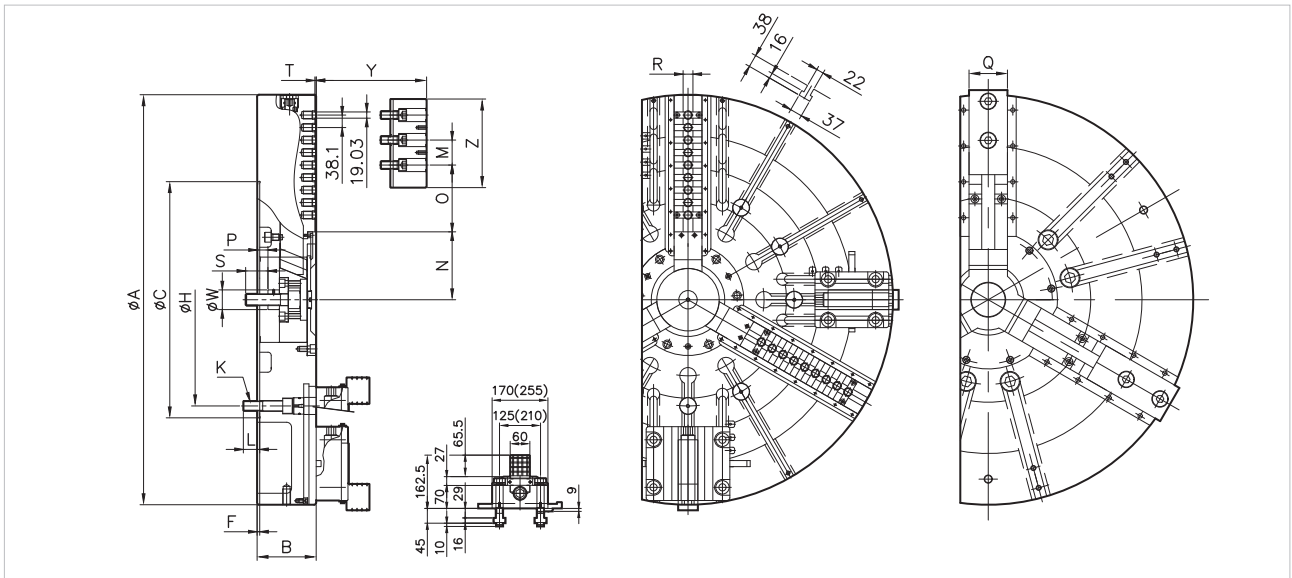
## SPECIFICATIONS 사양표

Model 형식	Order NO. 오더번호	Spindle nose NO. 주축규격	Jaw stroke (Diameter) 조스트로크(직경) mm	Plunger stroke 플런저스트로크 mm	Gripping Dia(External gripping) 파악경(외경파악)mm		Max. permissible input force 허용실린더력 KN(kgf)
					Max 최대	Min 최소	
CAS-32HC	1AS32HC	-	30+(30)	38	800	296	119(12232)
CAS-40HC	1AS40HC	-	46+(30)	57	1000	187	161(16450)
CAS-50HC	1AS50HC	-	46+(30)	57	1250	187	180(18367)
CAS-55HC	1AS55HC	-	46+(30)	60	1400	283	200(20398)
CAS-63HC	1AS63HC	-	48+(40)	60	1600	320	196(20000)

Model 형식	Max. static gripping force 최대정적파악력 KN(kgf)	Max. permissible speed 최고사용회전수 r.p.m.(min <sup>-1</sup> )	Weight (With standard soft jaws) 중량(표준소프트조 포함) kg	GD <sup>2</sup> Moment of inertia N·m <sup>2</sup> (kgf.m <sup>2</sup> )	Matching cylinder 적용실린더	Matching hard jaw 적용하드조	Matching soft jaw 적용소프트조
CAS-32HC	214(21916)	800	350	601.9(61)	YASTL-200	HJ-32A1	SJ-32A1
CAS-40HC	320(32653)	630	670	1721.8(174.5)	YAST-250S	HJ-40A2	SJ-40A2
CAS-50HC	320(32653)	500	800	2169(220)	YAST-250S	HJ-40A2	SJ-40A2
CAS-55HC	359(36710)	450	1280	2760(280)	YAST-250S	HJ-40A2	SJ-40A2
CAS-63HC	358(36600)	400	1900	4930(500)	YAST-250S	HJ-40A2	SJ-40A2



## OUTWARD DRAWING 외형도



## DIMENSION 치수표

Model 형식	A	B	C	F	G	H	J	K	L	M	N max	N min
CAS-32HC	800	150	380	6	-	330.2	-	6-M24	30	76.2	172	125.5
CAS-40HC	1000	180	520	8	-	463.6	-	6-M24	32	152.4	207	154
CAS-50HC	1250	180	520	8	-	463.6	-	6-M24	32	152.4	207	154
CAS-55HC	1400	180	720	8	-	647.6	-	9-M30	50	152.4	207	154
CAS-63HC	1600	240	1020	8	-	956	-	9-M30	50	152.4	251	227

Model 형식	O max	O min	P max	P min	Q	R	S	T	U	V	W	X	Y	Z
CAS-32HC	-	-	35	-3	75	25.5	65	11	M30X3.5	-	55	114	83	165
CAS-40HC	-	-	35	-25	110	30	68	0	M36X4.0	-	60	-	110	270
CAS-50HC	-	-	35	-25	110	30	68	-4	M36X4.0	-	60	-	106	270
CAS-55HC	-	-	35	-25	110	30	68	-4	M36X4.0	-	60	-	106	270
CAS-63HC	-	-	67	7	110	30	68	-6	M36X4.0	-	60	-	104	270

※치수 및 사양은 예고없이 변경 될 수 있습니다.  
 ※Specifications are subject to change without notice.

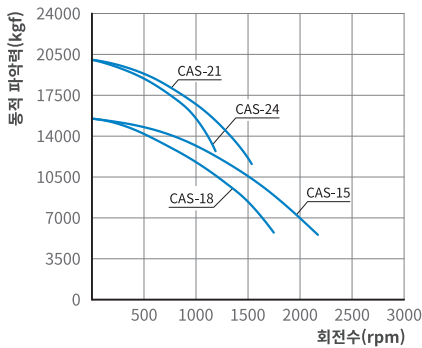
# CASD

고속중실형파워척(DIRECT MOUNT TYPE)  
CLOSED CENTER POWER CHUCK(DIRECT MOUNT TYPE)



- 경제적인모델
- Economical Model
- 고속화실현
- High Speed
- 내구성확보
- Durability
- 호환성확보
- Compatibility

## DYNAMIC GRIPPING FORCE 동적파악력선도



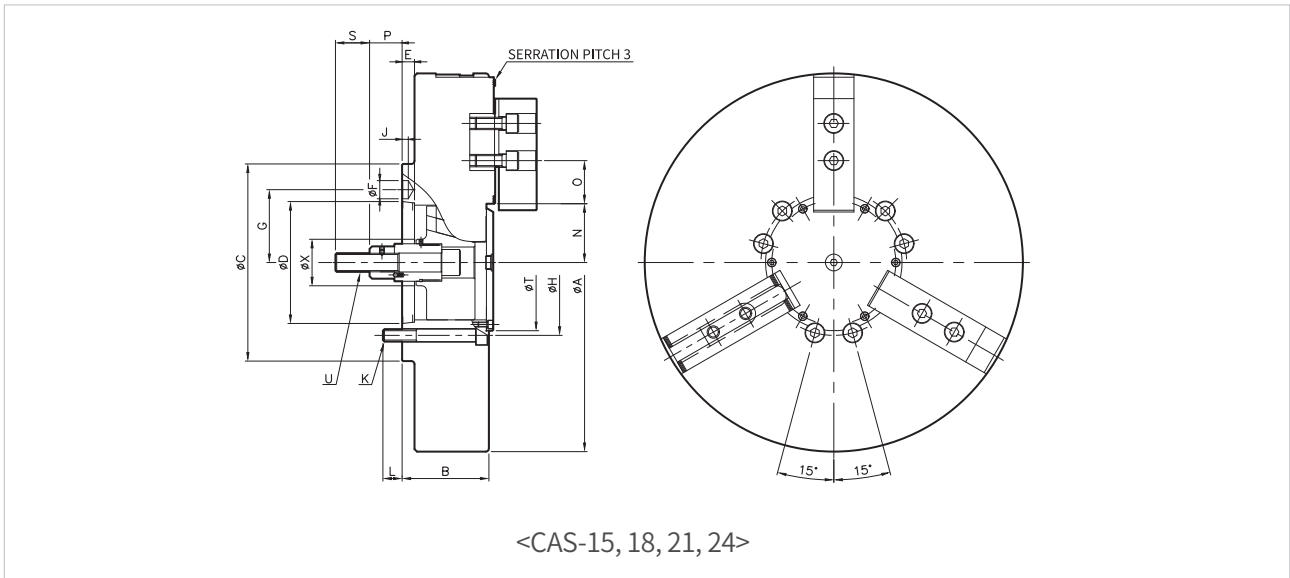
※ 척의 오랜 수명을 유지하기 위해 최소 일2회 이상 그리스를 주입하여 주십시오.  
※ It is recommended to grease chucks at least twice a day in order to maximize longevity.

## SPECIFICATIONS 사양표

Model 형식	Order NO. 오더번호	Spindle nose NO. 주축규격	Jaw stroke (Diameter) 조스트로크(직경) mm	Plunger stroke 플런저스트로크 mm	Gripping Dia(External gripping) 파악경(외경파악)mm		Max. permissible input force 허용실린더력 KN(kgf)
					Max 최대	Min 최소	
CAS-15 A8	1AS15A8	A2-8	18.6	35	381	60	73.5(7438)
CAS-15 A11	1AS15A11	A2-11	18.6	35	381	60	73.5(7438)
CAS-18 A8	1AS18A8	A2-8	18.6	35	457	60	73.5(7438)
CAS-18 A11	1AS18A11	A2-11	18.6	35	457	60	73.5(7438)
CAS-21 A11	1AS21A11	A2-11	18.6	35	530	110	98.1(9927)
CAS-21 A15	1AS21A15	A2-15	18.6	35	530	110	98.1(9927)
CAS-24 A11	1AS24A11	A2-11	18.6	35	610	110	98.1(9927)
CAS-24 A15	1AS24A15	A2-15	18.6	35	610	110	98.1(9927)

Model 형식	Max. static gripping force 최대정적파악력 KN(kgf)	Max. permissible speed 최고사용회전수 r.p.m(min <sup>-1</sup> )	Weight (With standard soft jaws) 중량(표준소프트조포함) kg	GD <sup>2</sup> Moment of inertia N · m <sup>2</sup> (kgf.m <sup>2</sup> )	Matching cylinder 적용실린더	Matching hard jaw 적용하드조	Matching soft jaw 적용소프트조
CAS-15 A8	147(14876)	2100	98	69.6(7.12)	YAS, C, P, T-200	HJ-15A1	SJ-15A2
CAS-15 A11	147(14876)	2100	98	69.8(7.12)	YAS, C, P, T-200	HJ-15A1	SJ-15A2
CAS-18 A8	147(14876)	1700	132	135.32(13.8)	YAS, C, P, T-200	HJ-15A1	SJ-15A2
CAS-18 A11	147(14876)	1700	132	135.32(13.8)	YAS, C, P, T-200	HJ-15A1	SJ-15A2
CAS-21 A11	194(19632)	1500	195	268.68(27.4)	YAS, C, P, T-200	-	SJ-21A2
CAS-21 A15	194(19632)	1500	195	268.68(27.4)	YAS, C, P, T-200	-	SJ-21A2
CAS-24 A11	194(19632)	1200	250	456.2(46.52)	YAS, C, P, T-200	-	SJ-21A2
CAS-24 A15	194(19632)	1200	250	456.2(46.52)	YAS, C, P, T-200	-	SJ-21A2

## OUTWARD DRAWING 외형도



## DIMENSION 치수표

Model 형식	A	B	C	D	E	F	G	H	J	K(ANSI)	K(JIS)	L(ANSI)
CAS-15 A8	381	125	225	139.714	20	24.21	85.725	171.45	8	5/8-11UNC	6-M16	24
CAS-15 A11	381	125	280	196.864	20	29.36	117.5	235	10	3/4-10UNC	6-M20	23
CAS-18 A8	457	125	225	139.714	20	24.21	85.725	171.45	8	5/8-11UNC	6-M16	24
CAS-18 A11	457	125	280	196.864	20	29.36	117.5	235	10	3/4-10UNC	6-M20	23
CAS-21 A11	530	140	280	196.864	20	29.36	117.5	235	10	3/4-10UNC	6-M20	33.4
CAS-21 A15	530	140	380	285.763	22	35.71	165.1	330.2	10	7/8-9UNC	6-M22	35.4
CAS-24 A11	610	140	280	196.864	20	29.36	117.5	235	10	3/4-10UNC	6-M20	33.4
CAS-24 A15	610	140	380	285.763	22	35.71	165.1	330.2	10	7/8-9UNC	6-M22	35.4

Model 형식	L(JIS)	N max	N min	O max	O min	P max	P min	S	T	U	X
CAS-15 A8	22.5	74.5	65.2	54.5	21.5	35	0	50	175	M27X3.0	63
CAS-15 A11	26	74.5	65.2	54.5	21.5	35	0	50	175	M27X3.0	63
CAS-18 A8	22.5	74.5	65.2	90.5	21.5	35	0	50	175	M27X3.0	63
CAS-18 A11	26	74.5	65.2	90.5	21.5	35	0	50	175	M27X3.0	63
CAS-21 A11	31	101.5	92.2	100.5	21.5	35	0	55	220	M30X3.5	75
CAS-21 A15	32	101.5	92.2	100.5	21.5	35	0	55	220	M30X3.5	75
CAS-24 A11	31	101.5	92.2	136.5	21.5	35	0	55	220	M30X3.5	75
CAS-24 A15	32	101.5	92.2	136.5	21.5	35	0	55	220	M30X3.5	75

※치수 및 사양은 예고없이 변경 될 수 있습니다.  
 ※Specifications are subject to change without notice.

# CASVA

고속중실형파워척(장진 방수형)

CLOSED CENTER POWER CHUCK(DUST PROOF &amp; WATER PROOF)



- 아답터부착형      ○ Spindle Direct-Mounting Type
- 교체시간단축      ○ Minimize changing time
- 고성능·고품질      ○ High Performance and High Quality
- 옵션부착용이      ○ Convenient Attachment Option
- 방진방수형      ○ Dust proof and Water proof

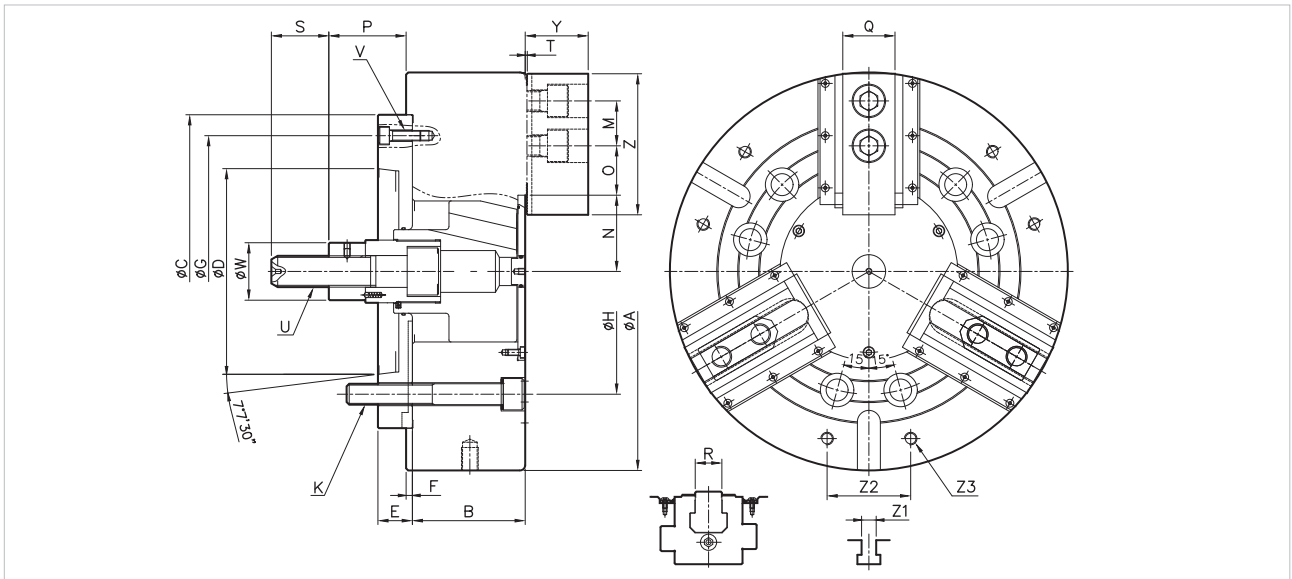
※ 척의 오랜 수명을 유지하기 위해 최소 일2회 이상 그리스를 주입하여 주십시오.  
 ※ It is recommended to grease chucks at least twice a day in order to maximize longevity.

## SPECIFICATIONS 사양표

Model 형식	Order NO. 오더번호	Spindle nose NO. 주축규격	Jaw stroke (Diameter) 죠스트로크(직경) mm	Plunger stroke 플런저스트로크 mm	Gripping Dia(External gripping) 파악경(외경파악)mm		Max. permissible input force 허용실린더력 KN(kgf)
					Max 최대	Min 최소	
CASVA-10	1ASVA10	A2-8	8.8	25	254	24	32.5(3315)
CASVA-12	1ASVA12	A2-8	10.5	30	304	26	41.5(4233)
CASVA-15	1ASVA15	A2-8, 11	16	35	381	60	81.9(8362)
CASVA-18	1ASVA18	A2-8, 11	16	35	450	140	81.9(8362)
CASVA-21	1ASVA21	A2-11, 15	16	35	530	82	81.9(8362)
CASVA-24	1ASVA24	A2-11, 15	16	35	610	170	81.9(8362)

Model 형식	Max. static gripping force 최대정적파악력 KN(kgf)	Max. permissible speed 최고사용회전수 r.p.m(min <sup>-1</sup> )	Weight (With standard soft jaws) 중량(표준소프트조 포함) kg	GD <sup>2</sup> Moment of inertia N·m <sup>2</sup> (kgf·m <sup>2</sup> )	Matching cylinder 적용실린더	Matching hard jaw 적용하드조	Matching soft jaw 적용소프트조
CASVA-10	115(11730)	4100	40	12.84(1.31)	YAS, C, P, T-125	HJ-10T1	SJ-10T1
CASVA-12	156(16014)	3400	66	29.52(3.01)	YAS, C, P, T-150	HJ-12A1	SJ-12A2
CASVA-15	248(35391)	3040	96	70.5(7.2)	YAS, C, P, T-200	HJ-15A3	SJ-15A3
CASVA-18	248(35391)	2710	131	95(9.7)	YAS, C, P, T-200	HJ-15A3	SJ-15A3
CASVA-21	272(27838)	1940	198	188.2(19.2)	YAS, C, P, T-200	HJ-21B1	SJ-21A1
CASVA-24	272(27838)	1760	223	67.8(6.92)	YAS, C, P, T-200	HJ-21B1	SJ-21A1

## OUTWARD DRAWING 외형도



## DIMENSION 치수표

Model 형식	A	B	C	D	E	F	G	H	K	M	M max	N min	O max	O min
CASVA-10	254	84	220	139.719	26	5	190	171	6-M16	30	51.1	46.7	30.7	11.2
CASVA-12	304	100	220	139.719	26	6	190	171	6-M16	30	61	55.7	48.7	12.7
CASVA-15	381	108	300	196.869	33	6	260	235	6-M20	43	73	65	54.7	15.7
CASVA-18	450	108	300	196.869	33	6	260	235	6-M20	43	106.5	98.5	48.5	23.2
CASVA-21	530	119	380	285.775	40	6	330.2	330	6-M22	60	86	78	93.5	27.5
CASVA-24	610	119	380	285.775	40	6	330.2	330	6-M22	60	124.5	117	93.5	27.5

Model 형식	P max	P min	Q	R	S	T	U	V	W	X	Y	Z	Z1	Z2	Z3
CASVA-10	160	135	44	16	36	5	M20X2.5	3-M8	38	32	50	110	14	40	2-M10
CASVA-12	165	135	50	18	36	5	M20X2.5	3-M8	38	38	54	111	14	40	2-M10
CASVA-15	109	74	50	25.5	55	5	M30X3.5	3-M10	38	44	60	135	22	80	2-M12
CASVA-18	109	74	50	25.5	55	5	M30X3.5	3-M10	55	50	60.3	135	22	80	2-M12
CASVA-21	111	76	65	25	55	6	M30X3.5	3-M12	55	60	71	180	22	80	2-M12
CASVA-24	111	76	65	25	55	6	M30X3.5	3-M12	55	60	71	180	22	80	2-M12

※치수 및 사양은 예고없이 변경될 수 있습니다.  
 ※Specifications are subject to change without notice.

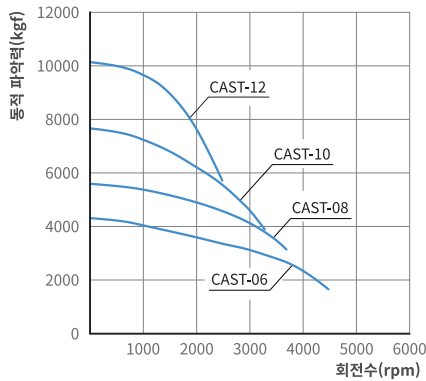
# CAST

## 2조-고속중실형파워척 2-JAW CLOSED CENTER POWER CHUCK

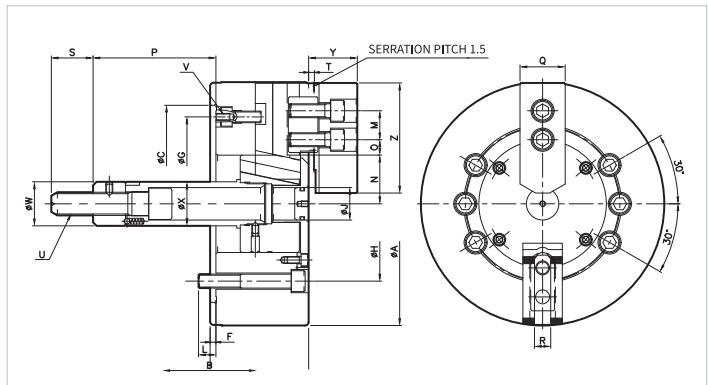


- 고성능 · 고정도    ○ High Performance and High Accuracy
- 이형공작물 파악    ○ Clamping of Irregular Work
- 호환성 확보        ○ Compatibility

### ■ DYNAMIC GRIPPING FORCE 동적파악력선도



### ■ OUTWARD DRAWING 외형도



### ■ SPECIFICATIONS 사양표

Model 형식	Order NO. 오더번호	Spindle nose NO. 주축규격	Jaw stroke (Diameter) 조스트로크(직경) mm	Plunger stroke 플런저스트로크 mm	Gripping Dia(External gripping) 파악경(외경파악)mm		Max. permissible input force 허용실린더력 KN(kgf)
					Max 최대	Min 최소	
CAST-06	1AST06	A2-5	9.2	20	165	19	12.6(1279)
CAST-08	1AST08	A2-6	8.8	21	210	23	18.6(1885)
CAST-10	1AST10	A2-8	8.8	25	254	24	21.6(2187)
CAST-12	1AST12	A2-8	10.5	30	304	26	27.6(2793)

Model 형식	Max. static gripping force 최대정적파악력 KN(kgf)	Max. permissible speed 최고사용회전수 r.p.m(min <sup>-1</sup> )	Weight (With standard soft jaws) 중량(표준소프트조 포함) kg	GD <sup>2</sup> Moment of inertia N · m <sup>2</sup> (kgf · m <sup>2</sup> )	Matching cylinder 적용실린더	Matching soft jaw 적용소프트조
CAST-06	41.9(4241)	4300	12.5	1.67(0.17)	YAS, C, P, T-100	SJ-06T1
CAST-08	53.2(5385)	3600	24	5.20(0.53)	YAS, C, P, T-125	SJ-08T1
CAST-10	76.5(7742)	3100	35.5	11.47(1.17)	YAS, C, P, T-125	SJ-10T1
CAST-12	104.4(10569)	2500	60.5	27.75(2.83)	YAS, C, P, T-150	SJ-12A2

### ■ DIMENSION 치수표

Model 형식	A	B	C	F	H	J	K	L	M	N max	N min	O max	O min
CGHT-06	175	81	140	5	104.8	52	6-M10	16	20	36.9	34.1	21	8
CGHT/CGHF-08	210	91	170	5	133.4	66	6/4-M12	17	25	46.2	42.4	23.25	10.25
CGHT/CGHF-10	254	100	220	5	171.4	82	6/4-M16	17	30	56.39	52	31	12
CGHT/CGHF-12	315	110	300	6	235	103	6/4-M20	30	30	68.6	63.5	45.7	13.7
CGHT/CGHF-21	530	140	380	6	330.2	166.5	6/8-M22	33	60	111.9	106.6	73.1	13.6

Model 형식	P max	P min	Q	R	S	T	U max	V	W	X	Y	Z
CGHT-06	12	-1	31	12	19	2	M60X2.0	4-M6	66	20	33.5	72
CGHT/CGHF-08	7	-11	39	14	27	2	M75X2.0	4-M6	80	30	39	95
CGHT/CGHF-10	9.5	-10.5	45	16	27	2	M90X2.0	4-M8	98	30	46	110
CGHT/CGHF-12	8	-16	49	21	28	2.5	M112X2.0	4-M10	124	66	51.3	111
CGHT/CGHF-21	11	-12	65	25	39	5	M175X3.0	4M-12	196.5	80	73	180

※치수 및 사양은 예고없이 변경 될 수 있습니다.  
※Specifications are subject to change without notice.

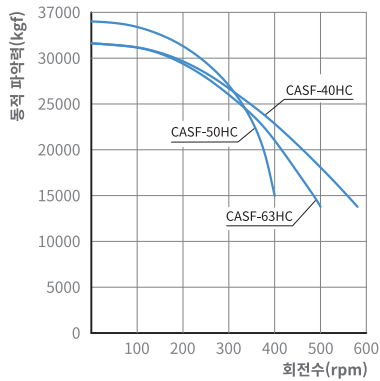
# CASF-HC

4조-고속중실형파워척  
4-JAW CLOSED CENTER COMBINATION CHUCK (HYDRAULIC + INDEPENDENT)

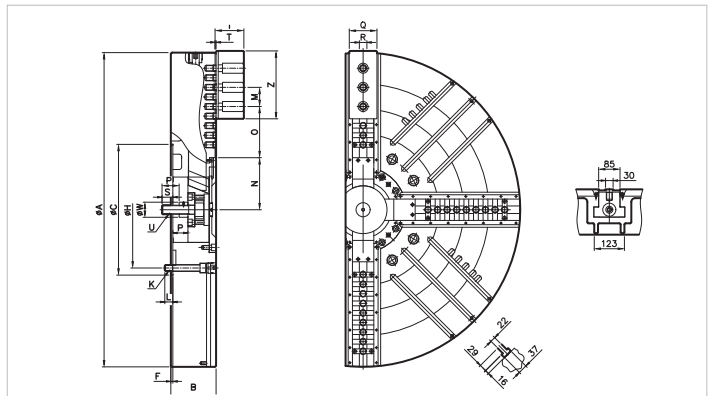


- 이형공작물 파악      ○ Clamping of Irregular Work
- 고성능 · 고정도      ○ High Performance and High Accuracy

## DYNAMIC GRIPPING FORCE 동적파악력선도



## OUTWARD DRAWING 외형도



## SPECIFICATIONS 사양표

Model 형식	Order NO. 오더번호	Spindle nose NO. 주축규격	Jaw stroke (Diameter) 조스트로크(직경) mm	Plunger stroke 플런저스트로크 mm	Gripping Dia(External gripping) 파악경(외경파악)mm		Max. permissible input force 허용실린더력 KN(kgf)
					Max 최대	Min 최소	
CASF-40HC	1ASF40HC	-	46+(30)	57	1000	187	161(16450)
CASF-50HC	1ASF50HC	-	46+(30)	57	1250	187	180(18367)
CASF-63HC	1ASF63HC	-	48+(40)	60	1600	320	196(20000)

Model 형식	Max. static gripping force 최대정적파악력 KN(kgf)	Max. permissible speed 최고사용회전수 r.p.m(min <sup>-1</sup> )	Weight (With standard soft jaws) 중량(표준소프트조 포함) kg	GD <sup>2</sup> Moment of inertia N · m <sup>2</sup> (kgf.m <sup>2</sup> )	Matching cylinder 적용실린더	Matching hard jaw 적용하드조	Matching soft jaw 적용소프트조
CASF-40HC	320(32653)	630	710	1721.8(174.5)	YAST-245	HJ-40A2	SJ-40A2
CASF-50HC	320(32653)	500	860	2169(220)	YAST-250S	HJ-40A2	SJ-40A2
CASF-63HC	358(36600)	400	1960	4930(500)	YAST-250S	HJ-40A2	SJ-40A2

## DIMENSION 치수표

Model 형식	A	B	C	F	H	J	K	L	M	N max	N min
CASF-40HC	1000	180	520	8	463.6	-	6-M24	32	76.2	207	154
CASF-50HC	1250	180	520	8	463.6	-	8-M24	32	76.2	207	154
CASF-63HC	1600	240	1020	8	956	-	9-M30	50	76.2	251	227

Model 형식	O max	O min	P max	P min	Q	R	S	T	U	W	X	Y	Z
CASF-40HC	-	-	35	-25	110	30	68	0	M36×4.0	60	-	110	270
CASF-50HC	-	-	35	-25	110	30	68	-4	M36×4.0	60	-	106	270
CASF-63HC	-	-	67	7	110	30	68	-6	M36×4.0	60	-	104	270

※치수 및 사양은 예고없이 변경 될 수 있습니다.  
※Specifications are subject to change without notice.



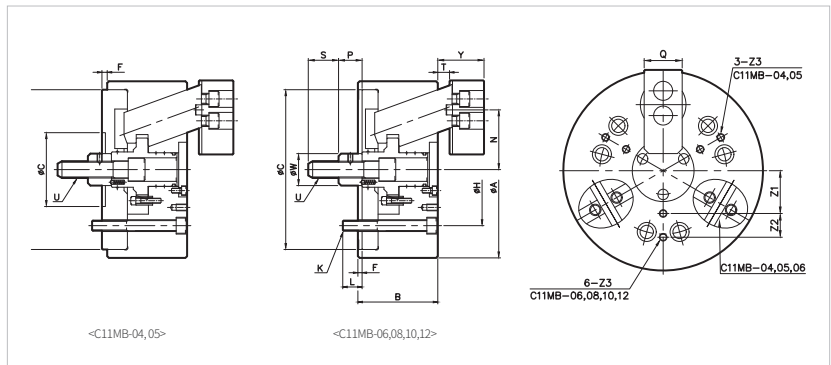
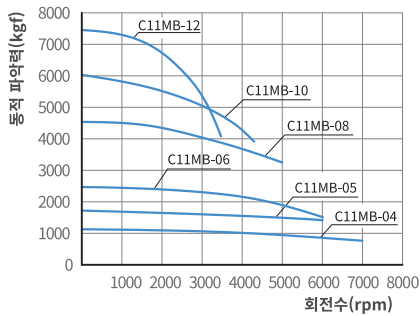
# C11MB.C13M

3-조 드로우 다운 척  
3-JAW DRAW DOWN CHUCK



- 다목적 용도 ○ Multiple Utilities
- C11MB 척은공작물의외경을파악하는구조이며, C13M 척은내경을파악하는구조입니다.
- C11MB chuck is to clamp outer diameter of work piece, and C13M chuck is to clamp inner diameter.

## DYNAMIC GRIPPING FORCE 동적파악력선도 | OUTWARD DRAWING 외형도



## SPECIFICATIONS 사양표

Model 형식	Order NO. 오더번호	Jaw stroke (Diameter) 조스트로크(직경) mm	Plunger stroke 플린저스트로크 mm	Gripping Dia(External gripping) 파악경(외경파악)mm		Max. permissible input force 허용실린더력 KN(kgf)
				Max 최대	Min 최소	
C11MB-04	11904	5	7	110	18	5.9(601.8)
C11MB-05	11905	5	7	130	25	9.8(999.6)
C11MB-06	11906	7.2	10	165	35	14.7(1499)
C11MB-08	11908	7.2	10	210	40	24.5(2499)
C11MB-10	11910	10.8	15	254	50	34.3(3499)
C11MB-12	11912	10.8	15	304	50	44.1(4498)

Model 형식	Max. static gripping force 최대정적파악력 KN(kgf)	Max permissible speed 최고사용회전수 r.p.m(min <sup>-1</sup> )	Weight (With standard soft jaws) 중량(표준소프트조포함) kg	GD <sup>2</sup> Moment of inertia N · m <sup>2</sup> (kgf.m <sup>2</sup> )	Matching cylinder 적용실린더	Matching soft jaw 적용소프트조
C11MB-04	10.3(1051)	7000	4.5	0.312(0.032)	YAS, C, P, T-65	SJ-04D1
C11MB-05	16.8(1714)	6000	7.3	0.704(0.072)	YAS, C, P, T-80	SJ-04D1
C11MB-06	24.7(2519)	6000	13.8	1.764(0.18)	YAS, C, P, T-100	SJ-06D1
C11MB-08	44.1(4498)	5000	27	6.64(0.68)	YAS, C, P, T-125	SJ-08D1
C11MB-10	58.8(5998)	4200	45.8	14.908(1.52)	YAS, C, P, T-150	SJ-10D1
C11MB-12	73.5(7497)	3300	68	31.388(3.20)	YAS, C, P, T-150	SJ-12D1

## DIMENSION 치수표

Model 형식	A	B	C	F	G	H	K	L	N max	N min
C11MB-04	110	60	60	5	98	80	3-M8	14	37	34.5
C11MB-05	130	70	80	5	118	100	3-M8	9	44	41.5
C11MB-06	165	85	140	5	-	104.77	6-M10	11	58	54.4
C11MB-08	210	95	190	5	-	133.35	6-M12	23	71	67.4
C11MB-10	254	110	230	5	-	171.45	6-M12	22	85	79.6
C11MB-12	304	125	230	5	-	171.45	6-M16	27	102	96.6

Model 형식	Q	S	T max	T min	U	W	X	Y MAX	Y MIN	Z1	Z2	Z3
C11MB-04	25	20	10.5	3.5	M10X1.5	25	28	30	23	25	-	M6XDP11
C11MB-05	30	25	10.5	3.5	M12X1.75	28	30	35	28	30	-	M6XDP11
C11MB-06	35	36	14	4	M16X2.0	32	35	45	35	35	20	M8XDP13
C11MB-08	40	36	14	4	M20X2.5	38	42	55	45	45	25	M8XDP13
C11MB-10	50	46	19	4	M24X3.0	50	52	65	50	55	30	M10XDP17
C11MB-12	60	50	19	4	M27X3.0	52	55	75	55	70	35	M10XDP17

※치수 및 사양은 예고없이 변경될 수 있습니다.  
※Specifications are subject to change without notice.

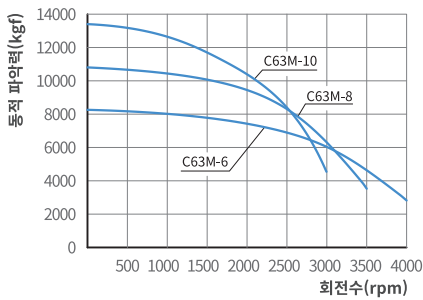
# C63MB.C64M

강력요동형 척  
SWING LOCK CHUCK

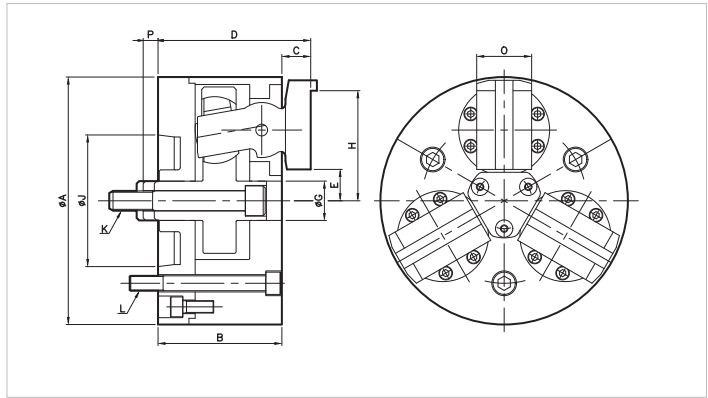


- 강력한 파악력    ○ Strong Gripping Force
- 테이퍼부 파악    ○ Swing Type Jaw
- 요동형의 죠오    ○ Clamping Taper Part
- 방진성능 우수    ○ Excellent Dust-proof Performance
- C63M : 3 JAW Type, C64M : 2 JAW Type

## DYNAMIC GRIPPING FORCE 동적파악력선도



## OUTWARD DRAWING 외형도



## SPECIFICATIONS 사양표

Model 형식	Order NO. 오더번호	Jaw stroke (Diameter) 죠스트로크(직경) mm	Plunger stroke 플런저스트로크 mm	Gripping Dia(External gripping) 파악경(외경파악)mm		Max. permissible input force 허용실린더력 KN(kgf)
				Max 최대	Min 최소	
C63M-06	1C6306	7.4	11.4	120.0	12	26.5(2700)
C63M-08	1C6308	9.2	14.4	150.0	16	35(3600)
C63M-10	1C6310	11.8	17.5	205.0	50	44(4500)

Model 형식	Max. static gripping force 최대정적파악력 KN(kgf)	Max. permissible speed 최고사용회전수 r.p.m(min <sup>-1</sup> )	Weight (With standard soft jaws) 중량(표준소프트죠프람) kg	GD <sup>2</sup> Moment of inertia N·m(kgf.m <sup>2</sup> )	Matching cylinder 적용실린더
C63M-06	79(8100)	4000	18	1.47(0.15)	YAS, C, P, T-100
C63M-08	105(10800)	3500	27	4.7(0.48)	YAS, C, P, T-125
C63M-10	132(13500)	3000	45	12(1.23)	YAS, C, P, T-150

## DIMENSION 치수표

Model 형식	A	B	C	D	E	F	G	Hin	Hout	J	K	L	O	P min	P max
C63M-06	162	84.2	19.3	103.5	20.3	-	30.17	22.5	73.15	82.56	M16	3-M10	38.1	5.4	16.7
C63M-08	200	100.1	23.3	123.4	25.35	-	31.76	25.35	88.95	106.37	M16	3-M12	44.4	3	17.3
C63M-10	254	118.5	29.1	147.6	30.1	-	41.29	30.3	112.7	139.7	M18	3-M16	57.1	2.7	20.2

※치수 및 사양은 예고없이 변경 될 수 있습니다.  
※Specifications are subject to change without notice.

The title 'SEOAM HYDRAULIC CYLINDER' is presented in a blue, sans-serif font. 'SEOAM' is in a larger, bold font, while 'HYDRAULIC CYLINDER' is in a smaller font below it. A blue horizontal line is positioned above the 'SEOAM' text. The text is set against a white, semi-transparent background that has a hexagonal shape on the right side.

최고라는 자부심으로 최선을 다합니다. 국내 최초로 유압척을 개발하고 발전시켰던 축적된 기술력과 끊임없는 노력으로 높은 파악력과 고속 경량화를 실현한 다양한 시리즈로 고객이 믿고 찾을 수 있는 제품과 서비스를 제공하여 드릴것을 약속 하겠습니다. 서암기계공업주식회사는 “최고의 품질”과 “고정밀도”를 자랑합니다.

We will make a great effort to get customers satisfaction with self-confidence of the best. Having accumulated technologies by developing own power chuck series for the first time in Korea and continuous improvement efforts, the SEOAM promises to provide world top class quality products and reliable services with various power chuck series directed to realizing high gripping force, high speed with light weight. SEOAM Machinery is proud of the highest quality and precision products.



# HYDRAULIC CYLINDER

## YAH

고속중공형  
회전유압실린더

BIG BORE  
HYDRAULIC CYLINDER

P37



## YLD

고속중공형  
회전유압실린더

LOW DRAIN  
HYDRAULIC CYLINDER

P39



## YSH

초고속  
중공슬림형 실린더

SUPER HIGH SPEED BIG BORE  
HYDRAULIC CYLINDER

P41



## YSGH

초고속 중공슬림형  
대관통경 유압실린더

SUPER HIGH SPEED GREAT  
BORE HYDRAULIC CYLINDER

P43



## YSHL (LONG STROKE)

초고속 중공슬림형  
대관통경 유압실린더

SUPER HIGH SPEED GREAT  
BORE HYDRAULIC CYLINDER

P45



## CA

쿨란트 콜렉터

COOLANT COLLECTOR

P47



## YAS

고속중실형  
회전유압실린더

CLOSED CENTER  
HYDRAULIC CYLINDER

P48



## YASC (CHECK VALVE TYPE)

고속중실형  
회전유압실린더

CLOSED CENTER  
HYDRAULIC CYLINDER

P49



## YASP (PROXIMITY SWITCH MOUNTABLE TYPE)

고속중실형  
유전유압실린더

CLOSED CENTER  
HYDRAULIC CYLINDER

P50



## YAST (CHECK VALVE+ PROXIMITY SWITCH TYPE)

고속중실형  
회전유압실린더

CLOSED CENTER  
HYDRAULIC CYLINDER

P51



## YMS (PROXIMITY SWITCH TYPE)

고속중실형  
박형실린더

CLOSED CENTER POWER CHUCK  
(DIRECT MOUNT TYPE)

P53



## YTRC

고속중실형회전유압실린더  
(주수형, 중심부 관로형성)

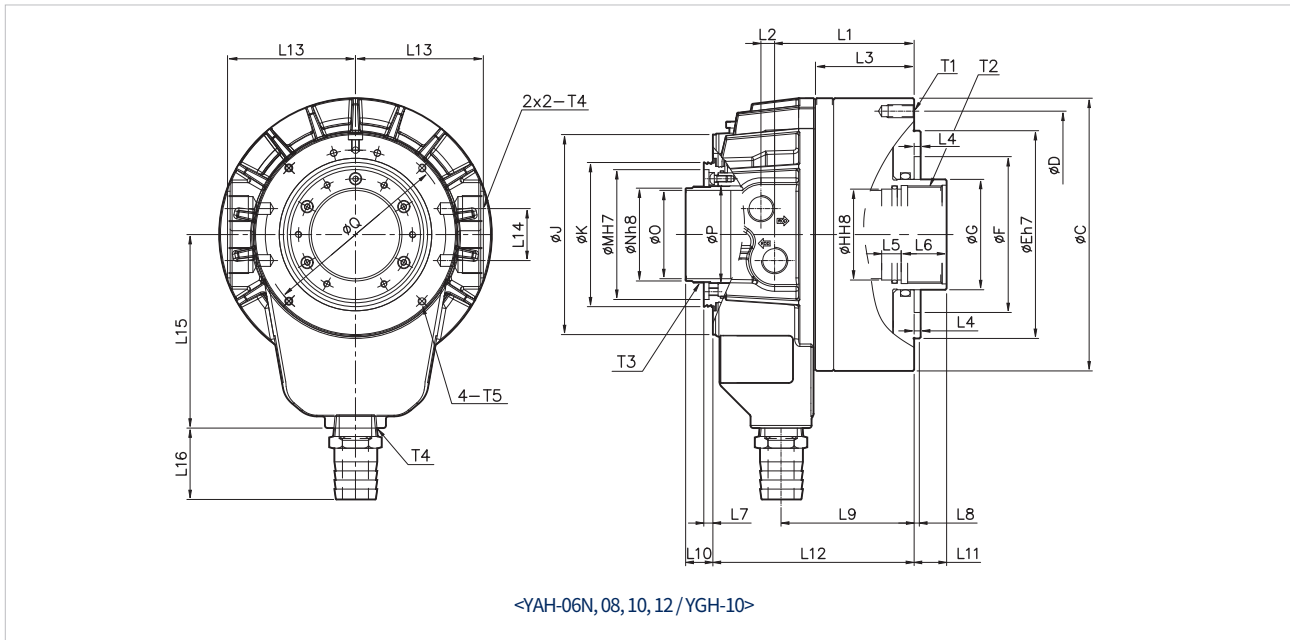
POWER CYLINDER WITH  
THROUGH HOLE

P54





## OUTWARD DRAWING 외형도



## DIMENSION 치수표

Model 형식	C	D	E	F	G	H	J	K	M	N	O	P	Q
YAH-06N	156	130	100	80	65	50	108	82.2	74	50	46	53	98
YAH-08	195	170	130	90	70	55	120	91.2	82	56	52	60	110
YAH-10	218	190	160	120	95	80	145	116.2	107	81	77	85	135
YGH-10	223	190	160	125	100	86	167	121.2	112	87	82	90	154
YAH-12	247	215	180	135	110	95	167	131.2	122	96	91	100	154

Model 형식	L1	L2	L3	L4	L5	L6	L7	L8	L9	L10 max	L10 min	L11 max	L11 min
YAH-06N	126.5	11	76	5.5	15	30	11	5	116.6	34	19	15	0
YAH-08	130	12	88.5	5.5	15	30	6	5	119.5	39	19	20	0
YAH-10	143	12	95.5	5.5	15	35	6	5	126.5	44	19	25	0
YGH-10	149.5	14	95.5	5.5	15	35	6	5	128.5	44	19	25	0
YAH-12	162.5	14	108.5	5.5	15	35	6	5	141.5	49	19	30	0

Model 형식	L12	L13	L14	L15	L16	T1	T2	T3	T4	T5
YAH-06N	181	75	36	120	40	6-M10X18	M55XP2.0	M52XP1.5	PT-1/2	M5X10
YAH-08	186	81	36	130	40	6-M10X18	M60XP2.0	M58XP1.5	PT-1/2	M5X10
YAH-10	208	95	36	150	40	12-M10X18	M85XP2.0	M84XP2.0	PT-1/2	M5X10
YGH-10	217	107	36	166	40	12-M10X18	M90XP2.0	M89XP2.0	PT-1/2	M6X10
YAH-12	230	107	36	166	40	12-M12X22	M100XP2.0	M99XP2.0	PT-1/2	M5X10

※치수 및 사양은 예고없이 변경 될 수 있습니다.

※Specifications are subject to change without notice.

## YLD

LOW DRAIN 중공형회전유압실린더

LOW DRAIN SUPER HIGH SPEED BIG BORE HYDRAULIC CYLINDER



- 호환성실현
- Compatibility
- 소형화경량화
- Small Size & Light Weight
- 안전확보
- Safety Guaranteed
- 로우드레인
- Low Drain
- 누유방지설계  
(특허등록:0172805)
- Leakage Prevention Design  
(Patent Registration:0172805)

※ 허용 최고 회전 속도는 실측치에 준함.

※ Maximum turning speed is based on actual measurement.

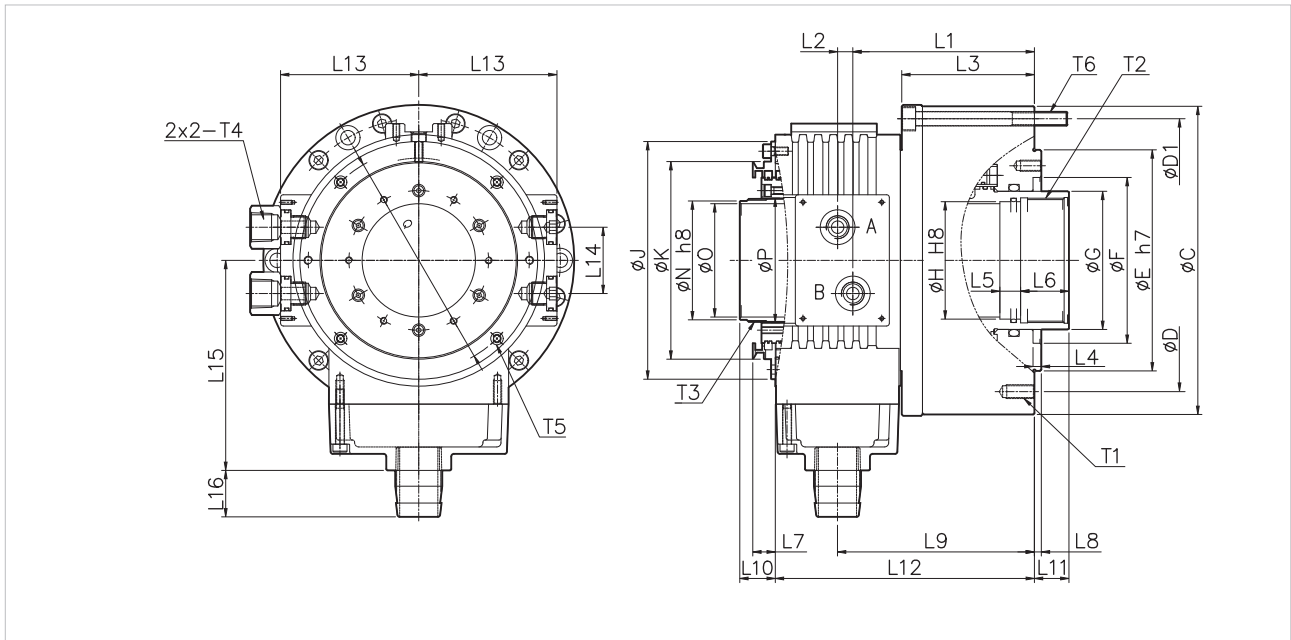
## SPECIFICATIONS 사양표

Model 형식	Order NO. 오더번호	Cylinder Dia 실린더내경 mm	Piston stroke 피스톤스트로크 mm	Thru hole Dia 실린더관통경 mm	Piston surface area 피스톤단면적cm <sup>2</sup>		Max. Draw bar pull 실린더추력KN(kgf)	
					Push 압축	Pull 인축	Push 압축	Pull 인축
YLD-06	2LD06	132	25	46.5	101.5	89.5	41.9(4277)	37(3771)
YLDG-06	2LDG06	156	25	52	131.6	122.62	54.4(5545)	50.7(5167)
YLDG-08	2LDG08	170	29	68	179.6	166.2	74.2(7568)	68.7(7003)
YLDG-10	2LDG10	185	30	82	203.9	188.3	83.3(8498)	77(7848)
YLDG-12	2LDG12	215	35	103	249	236.3	90.7(9245)	86(8773)
YLDL-15	2LDL15	255	50	117.5	384.3	351.7	138.4(14111)	126.6(12914)
YLDL-21	2LDL21	305	51	166.5	486.9	442	144.4(14724)	131(13366)

Model 형식	Max. operating pressure 최고사용유압력 Mpa(kgf/cm <sup>2</sup> )	Max. permissible speed 최고사용회전수 r.p.m(min <sup>-1</sup> )	Total leakage 총드레인량 ℓ/min	Weight 중량 kg	GD <sup>2</sup> Moment of inertia N·m <sup>2</sup> (kgf·m <sup>2</sup> )	Matching chuck 적용척
YLD-06	45.8	7000	2.5	11.5	0.2(0.021)	CAH-06
YLDG-06	45.8	6200	3.0	14	0.30(0.031)	CAH-08
YLDG-08	45.8	5600	3.2	16.5	0.63(0.065)	CGH-08
YLDG-10	45.8	4800	3.5	26	0.95(0.097)	CGH-10
YLDG-12	40.8	3500	3.5	36	18.0(1.84)	CGH-12
YLDL-15	40.8	3000	7	52	18.6(1.9)	CAH-15, 18, 21, 24
YLDL-21	33.6	2000	8.4	95	29.43(3.0)	CAH-21, 24



## OUTWARD DRAWING 외형도



## DIMENSION 치수표

Model 형식	C	D	E	F	G	H	J	K	M	N	O	P	Q
YLD-06	162	130	147	100	80	65	48	113	92	50	46.5	53	102
YLDG-06	190	170	170	130	80	70	55	129	107	58	52	61	120
YLDG-08	210	190	190	170	120	85	70	154	130	71.5	68	75.3	143
YLDG-10	223	190	205	160	120	100	85	169.5	146	86	82	90	160
YLDG-12	266	225	240	200	145	125	106	199	178	116	103	120.2	190
YLDL-15	310	275	275	230	170	140	123	213.7	182	122	117.5	125	198
YLDL-21	370	290	345	260	240	190	170	274	247	170.5	166.5	175.2	264

Model 형식	L1	L2	L3	L4	L5	L6	L7	L8	L9	L10 max	L10 min	L11 max	L11 min
YLD-06	116.2	8.4	86	8	15	30	16.5	5	120	49	24	15	-10
YLDG-06	104	10	75.5	8	15	30	16	5	109.5	52	27	22	-3
YLDG-08	122.5	12	91	9	15	38	16	5	131	50.7	21.7	25	-4
YLDG-10	133.2	11	101	8	15	35	16.7	5	143.5	53	23	25	-5
YLDG-12	142	16	105.5	6	15	30	16.3	5	153	63	28	35	0
YLDL-15	178.1	14.1	129	6	20	45	17.8	6	191	77	27	46	-4
YLDL-21	188.5	14.5	140	7	20	45	16.3	5	200	81	30	51	0

Model 형식	L12	L13	L14	L15	L16	T1	T2	T3	T4	T5	T6
YLD-06	157.5	76.5	36	119.5	40	12-M10X15	M52XP2.0	M52XP1.5	PT-1/2	4-M6X10	6-M8X90L
YLDG-06	147	83	36	128	40	12-M10X15	M60XP2.0	M60XP1.5	PT-1/2	4-M6X10	6-M8X85L
YLDG-08	170.8	94	40	139	40	12-M10X15	M75XP2.0	M74XP1.5	PT-1/2	4-M6X10	6-M10X100L
YLDG-10	186.5	104	40	160.5	40	12-M10X15	M90XP2.0	M89XP2.0	PT-1/2	4-M6X12	6-M10X110L
YLDG-12	200	120	48	174.5	40	12-M12X22	M112XP2.0	M120XP2.0	PT-1/2	4-M6X10	6-M12X110L
YLDL-15	251	136	48	195	40	12-M16X32	M130XP2.0	M124XP2.0	PT-1/2	4-M6X10	8-M12X140L
YLDL-21	260	168	48	229.5	40	12-M16X32	M180XP2.0	M173XP2.0	PT-1/2	4-M6X12	12-M12X150L

※치수 및 사양은 예고없이 변경 될 수 있습니다.  
 ※Specifications are subject to change without notice.

## YSH

초고속 중공슬림형 실린더  
SUPER HIGH SPEED BIG BORE HYDRAULIC CYLINDER

- 호환성 실현
- Compatibility
- 소형화 경량화
- Small Size & Light Weight
- 안전 확보
- Safety Guaranteed
- 동급 최대 추력
- Highest Draw Pull
- 누유방지설계  
(특허등록:0172805)
- Leakage Prevention Design  
(Patent Registration:0172805)

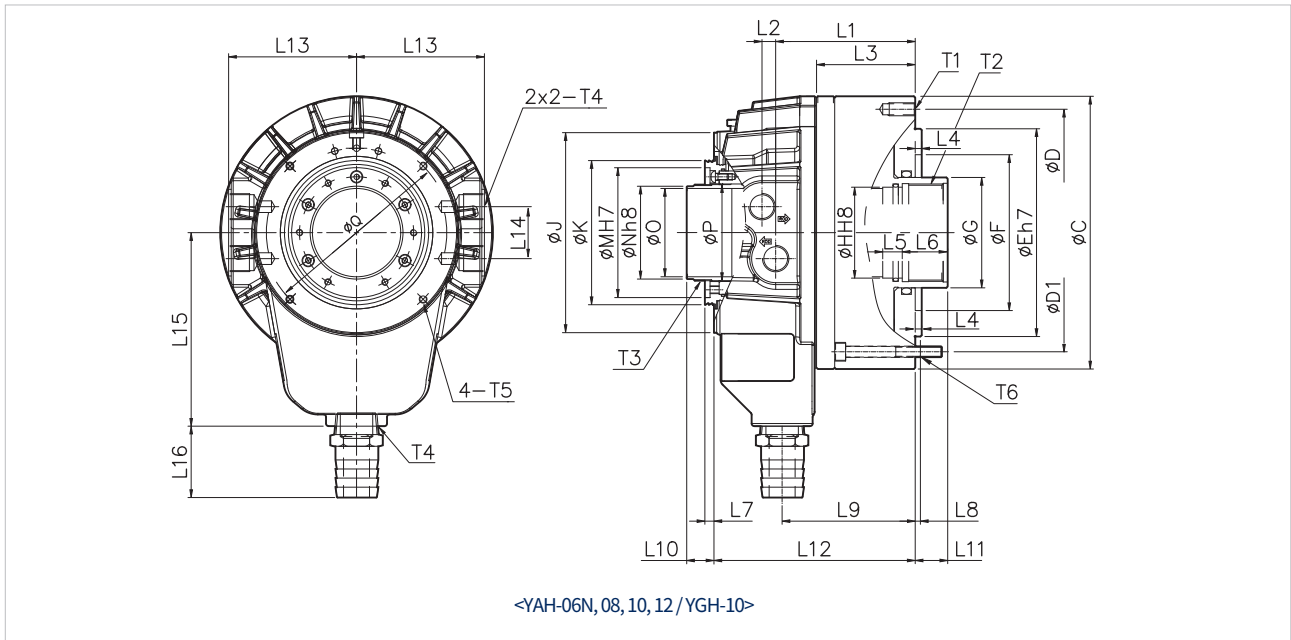
※ 허용 최고 회전 속도는 실측치에 준함.  
※ Maximum turning speed is based on actual measurement.

## SPECIFICATIONS 사양표

Model 형식	Order NO. 오더번호	Cylinder Dia 실린더내경 mm	Piston stroke 피스톤스트로크 mm	Thru hole Dia 실린더관통경 mm	Piston surface area 피스톤단면적cm <sup>2</sup>		Max. Draw bar pull 실린더추력KN(kgf)	
					Push 압축	Pull 인축	Push 압축	Pull 인축
YSH-06	2SH06	130	9	43	102.1	91.04	37(3749)	33(3341)
YSH-08	2SH08	156	22	52	159.77	148.62	57.6(5879)	53.6(5469)
YSH-10	2SH10	185	25	77	209	193.9	77.9(7944)	72.1(7357)
YSH-15	2SH15	250	23	117.5	364.4	331.8	129.8(13233.4)	118.2(12050)
YSH-21	2SH21	280	35	166.5	372.1	327.1	111.5(11376)	98(10002)
YSH-32	2SH32	390	35	240	683	643	101.4(10245)	95.4(9645)

Model 형식	Max. operating pressure 최고사용유압력 Mpa(kgf/cm <sup>2</sup> )	Max. permissible speed 최고사용회전수 r.p.m.(min <sup>-1</sup> )	Total leakage 총드레인량 ℓ/min	Weight 중량 kg	GD <sup>2</sup> Moment of inertia N·m <sup>2</sup> (kgf·m <sup>2</sup> )	Matching chuck 적용척
YSH-06	40.8	7000	3	9.5	0.20(0.021)	CAH-06
YSH-08	40.8	6200	3.9	13.5	0.39(0.040)	CAH-08
YSH-10	40.8	5000	4.2	16.8	0.81(0.083)	CAH-10
YSH-15	40.8	3000	7	52	18.6(1.9)	CAH-15,18,21,24
YSH-21	33.6	2000	8.4	74	29.43(3)	CAH-21,24
YSH-32	25	1500	18	130	39.2(4)	CAH-32

## OUTWARD DRAWING 외형도



## DIMENSION 치수표

Model 형식	C	D	D1	E	F	G	H	J	K	M	N	O	P	Q
YSH-06	165	147	147	130	75	65	48	116	85	76	50	43	50	98
YSH-08	190	170	-	40	90	70	55	126	90	81	56	52	60	113
YSH-10	222	190	200	160	120	95	80	164	121	110	81	77	85	155
YSH-15	307	275	-	230	170	140	123	216	167	152	122	117.5	125	198
YSH-21	354	290	-	260	240	190	170	278	217	205	170.5	166.5	175	256
YSH-32	454	420	-	320	280	265	243	358	297	285	250.5	240	255	330

Model 형식	L1	L2	L3	L4	L5	L6	L7	L8	L9	L10 max	L10 min	L11 max	L11 min
YSH-06	81.7	7.4	56.9	10	15	30	7	8	86.4	40	31	9	0
YSH-08	100.1	8.9	74	6	15	30	7	5	105.2	43	21	22	0
YSH-10	115.2	12.7	86	5	15	35	7	5	112.5	46	21	25	0
YSH-15	141.5	18.5	102	6	20	45	9.85	6	163	46.3	23.3	24	1
YSH-21	166.5	18.5	123	7	20	45	9.85	5	184	60.3	25.3	35	0
YSH-32	170	18.5	122	5	20	45	9.85	5	197	60	25	35	-

Model 형식	L12	L13	L14	L15	L16	T1	T2	T3	T4	T5	T6
YSH-06	81.7	78	56.9	120	55	6-M10X18	M52XP1.5	M52XP1.5	PT-3/8	4-M5X10	6-M8X65
YSH-08	138.5	86	40	130	55	6-M10X18	M60XP1.5	M58XP1.5	PT-1/2	4-M5X10	-
YSH-10	155	88	40	149	55	6-M10X18	M85XP2.0	M84XP2.0	PT-1/2	4-M5X10	8-M8X95
YSH-15	241	140	40	215	50	12-M16X32	M130XP2.0	M124XP2.0	PT-1/2	4-M6X10	-
YSH-21	259.5	172.6	40	250	55	12-M16X32	M180XP2.8	M173XP2.0	PT-1/2	4-M6X10	-
YSH-32	277	214	40	332	58	12-M16X40	M250XP3.0	M253XP2.0	PT-1/2	6-M6X10	-

※치수 및 사양은 예고없이 변경 될 수 있습니다.  
 ※Specifications are subject to change without notice.

# YSGH

초고속 중공슬림형 대관통경 유압실린더  
SUPER HIGH SPEED GREAT BORE HYDRAULIC CYLINDER



- 안전 확보
- Safety Guaranteed
- 보수 점검이 용이
- Easy Repair & Check
- 관통경 확대
- Enlargement of Through hole
- 동급 최대 추력
- Highest Draw Pull
- 누유 방지 설계  
(특허 등록 : 0172805)
- Leakage Prevention Design  
(Patent Registration:0172805)

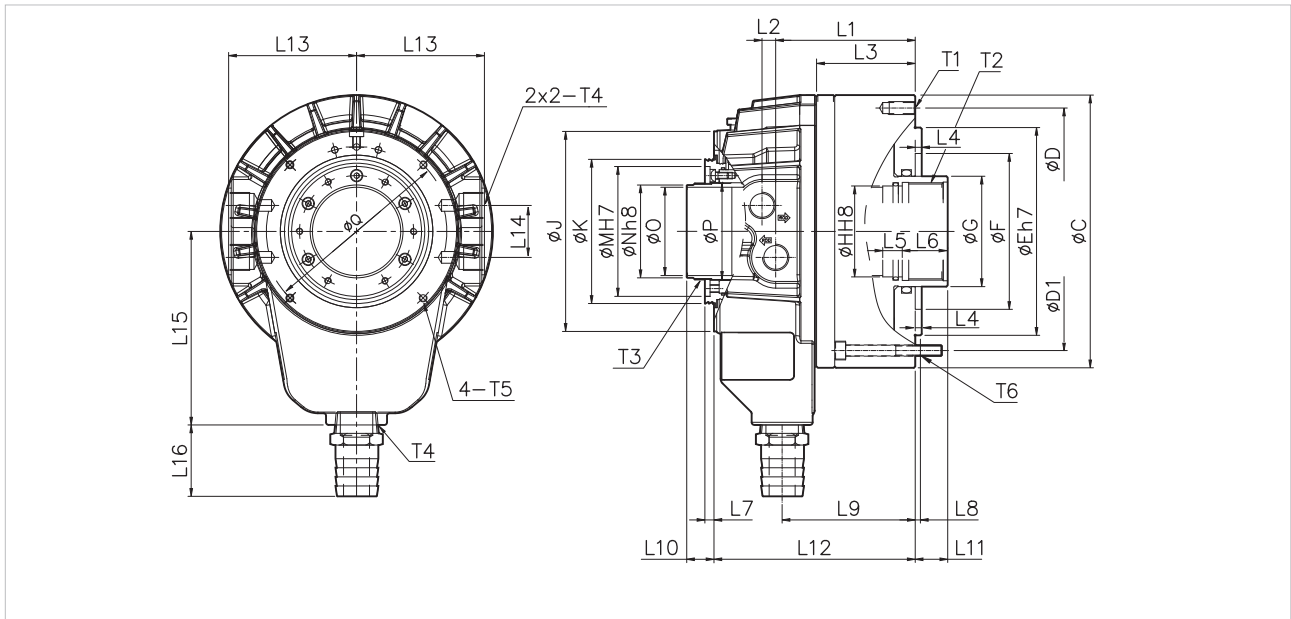
※ 허용 최고 회전 속도는 실측치에 준함.  
※ Maximum turning speed is based on actual measurement.

## SPECIFICATIONS 사양표

Model 형식	Order NO. 오더번호	Cylinder Dia 실린더내경 mm	Piston stroke 피스톤스트로크 mm	Thru hole Dia 실린더관통경 mm	Piston surface area 피스톤단면적cm <sup>2</sup>		Max. Draw bar pull 실린더추력KN(kgf)	
					Push 압축	Pull 인축	Push 압축	Pull 인축
YSGH-06	2SGH06	145	25	52	131.6	122.6	43.7(4456)	40.7(415)
YSGH-08	2SGH08	170	25	68	179.6	166.2	66.8(6814)	61.8(6306)
YSGH-10	2SGH10	189	25	82	213	197.5	76.9(7848)	71.3(7273)
YSGH-12	2SGH12	215	35	103	262.3	245.9	85.0(8667.2)	79.7(8127.6)

Model 형식	Max. operating pressure 최고사용유압력 Mpa(kgf/cm <sup>2</sup> )	Max. permissible speed 최고사용회전수 r.p.m.(min <sup>-1</sup> )	Total leakage 총드레인량 ℓ/min	Weight 중량 kg	GD <sup>2</sup> Moment of inertia N·m <sup>2</sup> (kgf·m <sup>2</sup> )	Matching chuck 적용척
YSGH-06	40.8	6500	3.9	12.7	0.30(0.031)	CGH-06
YSGH-08	40.8	5600	4	16.5	0.63(0.065)	CGH-08
YSGH-10	40.8	4800	4.5	26	0.95(0.097)	CGH-10
YSGH-12	40.8	3500	6	36	18.0(1.84)	CGH-12

## OUTWARD DRAWING 외형도



## DIMENSION 치수표

Model 형식	C	D	D1	E	F	G	H	J	K	M	N	O	P	Q
YSGH-06	180	165	170	140	80	70	55	135	96	85	59.5	52	62	110
YSGH-08	210	190	190	160	120	85	70	154	111	100	71.5	68	75	145
YSGH-10	226	190	205	160	120	100	85	164	128	117	86	82	90	155
YSGH-12	263	225	240	200	145	120	106	202	148	135	108	103	112	190

Model 형식	L1	L2	L3	L4	L5	L6	L7	L8	L9	L10 max	L10 min	L11 max	L11 min
YSGH-06	99	9	75.5	11	10	20	121	8	102	83	58	22	-3
YSGH-08	105.2	12.7	76	5	15	35	7	5	102.5	46	21	25	0
YSGH-10	122.2	12.7	90	5	15	35	7	5	125	46	21	25	0
YSGH-12	148	14	108.5	5.5	15	30	7	5	155	55	20	35	0

Model 형식	L12	L13	L14	L15	L16	T1	T2	T3	T4	T5	T6
YSGH-06	138.5	86	40	130	55	12-M10X18	M60XP1.5	M60XP1.5	PT-3/8	4-M6X6	6-M8X80
YSGH-08	155	88	40	149	55	6-M10X18	M75XP2.0	M74XP1.5	PT-1/2	4-M5X10	6-M10X85
YSGH-10	175	102	40	170	55	12-M10X18	M90XP2.0	M89XP2.0	PT-1/2	4-M6X15	6-M10X100
YSGH-12	211	126	40	195	55	12-M16X32	M111XP2.0	M111XP2.0	PT-1/2	4-M6X15	6-M12X120

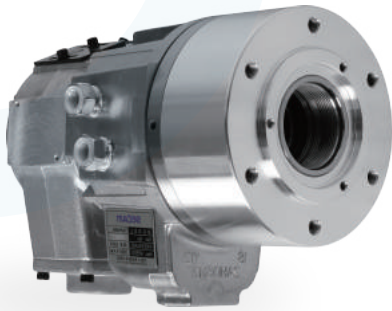
※치수 및 사양은 예고없이 변경 될 수 있습니다.

※Specifications are subject to change without notice.

# YSHL

초고속 중공슬림형 실린더(롱스트로크)

SUPER HIGH SPEED GREAT BORE HYDRAULIC CYLINDER



- 호환성 실현
- Compatibility
- 소형화 경량화
- Small Size & Light Weight
- 안전 확보
- Safety Guaranteed
- 동급 최대 추력
- Highest Draw Pull
- 누유방지설계  
(특허등록:0172805)
- Leakage Prevention Design  
(Patent Registration:0172805)

※ 허용 최고 회전 속도는 실측치에 준함.

※ Maximum turning speed is based on actual measurement.

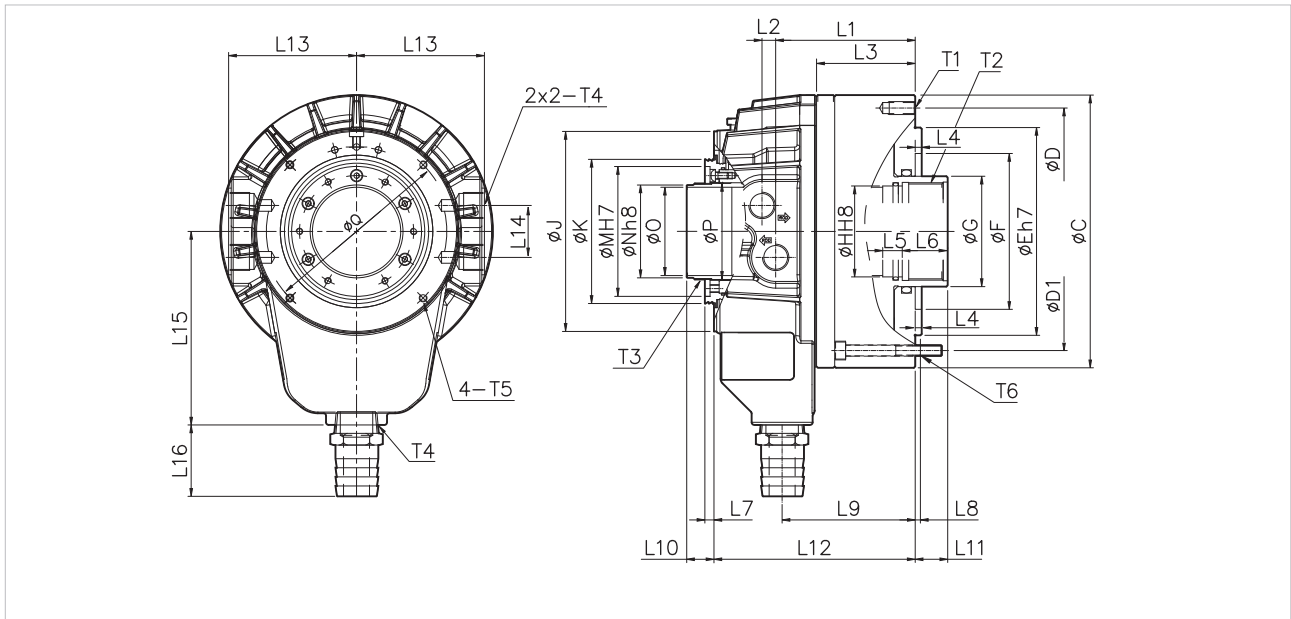
## SPECIFICATIONS 사양표

Model 형식	Order NO. 오더번호	Cylinder Dia 실린더내경 mm	Piston stroke 피스톤스트로크 mm	Thru hole Dia 실린더관통경 mm	Piston surface area 피스톤단면적 $\text{cm}^2$		Max. Draw bar pull 실린더추력KN(kgf)	
					Push 압축	Pull 인축	Push 압축	Pull 인축
YSHL-15	2SHL15	250	50	117.5	364.4	331.8	129.8(13233)	118.2(12050)
YSHL-21	2SHL21	280	51	166.5	372.1	327.1	111.5(11376)	98(10002)
YSHL-32	2SHL32	390	51	240	683	643	101.4(10245)	95.4(9645)

Model 형식	Max. operating pressure 최고사용유압력 Mpa(kgf/cm $^2$ )	Max. permissible speed 최고사용회전수 r.p.m.(min $^{-1}$ )	Total leakage 총드레인량 $\ell$ /min	Weight 중량 kg	GD $^2$ Moment of inertia N·m $^2$ (kgf·m $^2$ )	Matching chuck 적용척
YSHL-15	40.8	3000	7	52	18.6(1.9)	CAH-15, 18, 24
YSHL-21	33.6	2000	8.4	77	29.43(3)	CAH-21, 24
YSHL-32	25	1500	18	135	39.2(4)	CAH-32



## OUTWARD DRAWING 외형도



## DIMENSION 치수표

Model 형식	C	D	D1	E	F	G	H	J	K	M	N	O	P	Q
YSHL-15	307	275	275	230	170	140	123	216	167	152	122	117.5	175	256
YSHL-21	354	290	345	260	240	190	170	278	217	205	170.5	166.5	175	256
YSHL-32	454	420	-	320	280	265	243	358	297	285	250.5	240	255	330

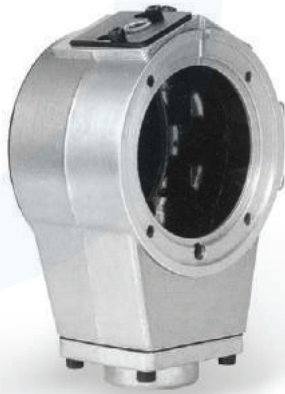
Model 형식	L1	L2	L3	L4	L5	L6	L7	L8	L9	L10 max	L10 min	L11 max	L11 min
YSHL-15	168.5	18.5	129	6	20	45	9.85	6	190	76	26	46	-4
YSHL-21	182.5	18.5	139	7	20	45	9.85	5	200	76.3	25.3	51	0
YSHL-32	186	18.5	138	5	20	45	9.85	5	213	76	25	50	-1

Model 형식	L12	L13	L14	L15	L16	T1	T2	T3	T4	T5	T6
YSHL-15	241	140	40	215	50	12-M16X32	M124XP2.0	M111XP2.0	PT-1/2	4-M6X10	8-M12X140
YSHL-21	259.5	172.6	40	255	55	12-M16X32	M180XP3.0	M173XP2.0	PT-1/2	4-M6X10	12-M12X150
YSHL-32	277	214	40	332	58	12-M16X40	M250XP3.0	M253XP2.0	PT-1/2	6-M6X15	-

※치수 및 사양은 예고없이 변경 될 수 있습니다.  
 ※Specifications are subject to change without notice.

# CA

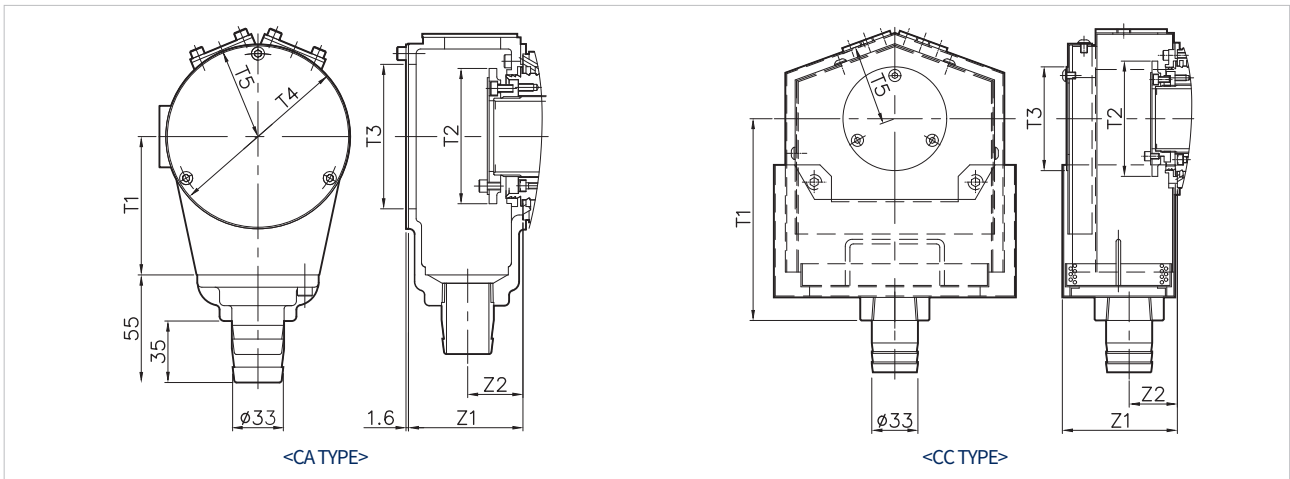
## 쿨란트 콜렉터 COOLANT COLLECTOR



- 절삭유 회수                      ○ Coolant Collection
- 실린더 작동유무 확인          ○ Checking Cylinder operation

※ 허용최고회전속도는실측치에준함.  
※ Maximum turning speed is based on actual measurement.

### OUTWARD DRAWING 외형도



### DIMENSION 치수표

Model 형식	T1	T2	T3	T4	T5	Z1	Z2	Matching Cylinder/적용실린더
CA-06	90	ø88	ø94	ø121	61	74.5	36.5	YSH/YAH-06
CA-08	100	ø100	ø106	ø132	67	79.5	36.5	YSH/YAH-08
CA-10	126	ø125	ø132	ø158	80	84.5	37	YSH/YAH-10
CA-12	142	ø143	ø154	ø180	95	88	37	YSH/YAH-12
CSG-08	142	ø143	ø154	ø177	92.5	88	37	YSGH-08
CG-10	142	ø133	ø154	ø177	92.5	88	37	YGH-10
CS-15	190	ø185	ø186	ø210	117.5	102	35	YSH-15

Model 형식	T1	T2	T3	T4	T5	Z1	Z2	Matching Cylinder/적용실린더
CC-06	155	ø88	ø90	-	65	92.3	34.3	YAH-06
CC-08	155	ø100	ø90	-	70	99.8	41.8	YAH-08
CC-10	200	ø125	ø150	-	100	146.8	61.8	YAH-10
CC-12	200	ø143	ø150	-	100	146.8	61.8	YAH-12
CC-08	155	ø143	ø125	-	97.7	97.3	39.3	YSGH-08
CC-12	200	ø165	ø125	-	102	152.3	67.3	YGH-10
CC-15	190	ø185	ø150	-	117	142.8	64.5	YSHL-15
CC-21	235	ø248	ø205	-	133.1	142.8	64.5	YSHL-21
CC-32	285	ø328	ø305	-	169.7	132.8	55	YSHL-32

※치수 및 사양은 예고없이 변경 될 수 있습니다.  
※ Specifications are subject to change without notice.

### MODEL DESCRIPTION 형식번호표시

**CA** - □□  
Cylinder size

**CC** - □□  
Cylinder size





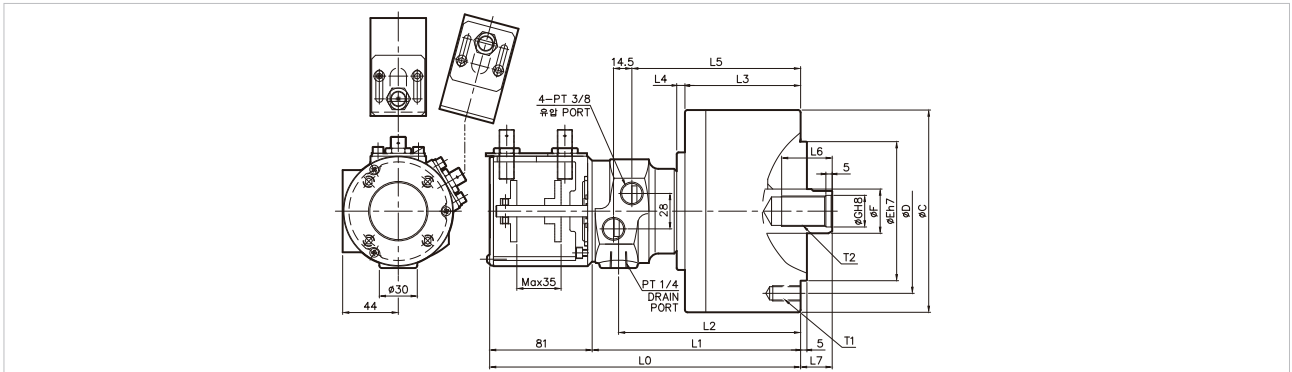
# YASP

고속중실형 회전유압 실린더(근접스위치 부착가능형)  
CLOSED CENTER HYDRAULIC CYLINDER



- 작동 위치 검출      ○ Detection of Operating Location
- 소형 경량화      ○ Small size & Light weight
- 고성능 · 고품질      ○ High Performance and High Quality

## OUTWARD DRAWING 외형도



## SPECIFICATIONS 사양표

Model 형식	Order NO. 오더번호	Cylinder Dia 실린더내경 mm	Piston stroke 피스톤스트로크 mm	Piston surface area 피스톤단면적cm <sup>2</sup>		Max. Draw bar pull 실린더추력 KN(kgf)	
				Push 압축	Pull 인축	Push 압축	Pull 인축
YASP-100	2ASP10	105	20	86.5	79.5	31.8(3244)	29.3(2989)
YASP-125	2ASP12	130	25	132.5	123.0	48.8(4978)	45.3(4621)
YASP-150	2ASP15	150	30	176.0	160.0	64.8(6610)	60.0(6120)
YASP-200	2ASP20	205	35	330.0	306.0	121.6(12404)	112.8(11505)
YASP-250	2ASP25	250	60	490.2	457.7	179(18400)	169(17200)

Model 형식	Max. operating pressure 최고사용유압력 Mpa(kgf/cm <sup>2</sup> )	Max. permissible speed 최고사용회전수 r.p.m(min <sup>-1</sup> )	Total leakage 총드레인량 ℓ/min	Weight 중량 kg	GD <sup>2</sup> Moment of inertia N·m <sup>2</sup> (kgf·m <sup>2</sup> )	Matching chuck 적용척
YASP-100	40.8	6000	1.0	5.8	0.49(0.05)	CAS-06
YASP-125	40.8	6000	1.0	7.9	0.88(0.09)	CAS-08, CAS-10
YASP-150	40.8	5500	1.0	10.8	1.47(0.15)	CAS-10, CAS-12
YASP-200	40.8	5500	1.0	20.0	3.62(0.37)	CAS-15이상
YASP-250	40.8	2000	1.0	-	-	CAS-40, 50, 63

## DIMENSION 치수표

Model 형식	C	D	E	F	G	L	L1	L2
YASP-100	135	100	80	30	21	236	155	134
YASP-125	160	130	110	35	25	246	165	144
YASP-150	185	130	110	45	30.5	253	172	151
YASP-200	245	145	120	55	37	276.5	195.5	174.5
YASP-250	314	282	160	65	46	252.5	215.5	166

Model 형식	L3	L4	L5	L6	L7 max	L7 min	T1	T2
YASP-100	81.5	6.5	123.5	35	45	25	6-M10X19	M20XP2.5
YASP-125	91.5	6.5	133.5	40	50	25	6-M12X22	M24XP3.0
YASP-150	98.5	6.5	140.5	45	55	25	6-M12X20	M30XP3.5
YASP-200	122	6.5	164	60	69	34	6-M16X29	M36XP4.0
YASP-250	166.5	6.5	208	67	85	25	6-M12X30	M42XP3.0

※치수 및 사양은 예고없이 변경 될 수 있습니다.  
※Specifications are subject to change without notice.



- 복합적인 구조      ○ Combined Structures
- 소형 경량화      ○ Small size & Light Weight
- 고성능 · 고품질      ○ High Performance and High Quality

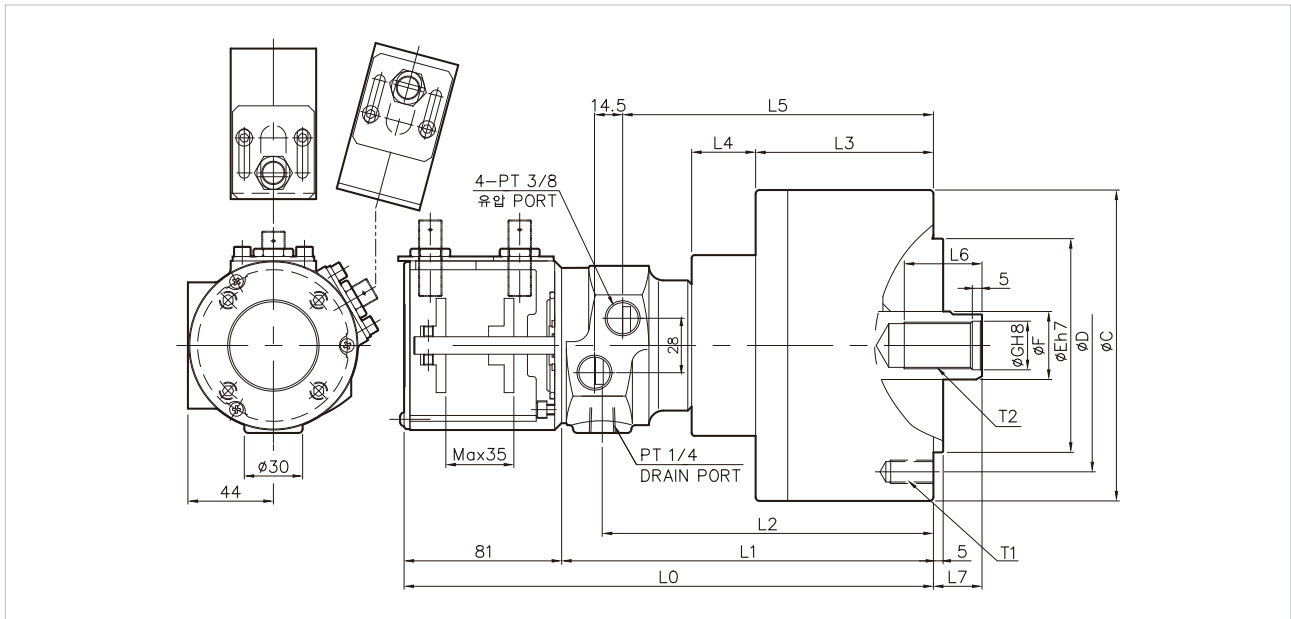
※ 허용최고회전속도는실측치에준함.  
※ Maximum turning speed is based on actual measurement.

## SPECIFICATIONS 사양표

Model 형식	Order NO. 오더번호	Cylinder Dia 실린더내경 mm	Piston stroke 피스톤스트로크 mm	Piston surface area 피스톤단면적 $\text{cm}^2$		Max. Draw bar pull 실린더추력 KN(kgf)	
				Push 압축	Pull 인축	Push 압축	Pull 인축
YAST-100	2AST10	105	20	86.5	79.5	31.8(3244)	29.3(2989)
YAST-125	2AST12	130	25	132.5	123.0	48.8(4978)	45.3(4621)
YAST-150	2AST15	150	30	176.0	160.0	64.8(6610)	60.0(6120)
YASTL-150	2ASTL15S	150	50	176	160	64.8(6610)	60.0(6120)
YAST-200	2AST20	205	35	330.0	306.0	121.6(12404)	112.8(11505)
YAST-200S	2AST20S	200	35	330	306	121.6(12404)	112.8(11505)
YASTL-200	2ASTL20	200	50	330	306	121.6(12404)	112.8(11505)
YASTL-200S	2ASTL20S	200	50	330	306	121.6(12404)	112.8(11505)
YAST-245	2AST24	245	60	470.8	438.2	173.2(17671.9)	161.2(16450.2)
YAST-250	2AST25	250	60	490.2	457.7	179(18400)	169(17200)
YAST-250S	2AST25S	250	60	481.5	450	180(18270)	167.3(17078)

Model 형식	Max. operating pressure 최고사용유압력 Mpa(kgf/cm $^2$ )	Max. permissible speed 최고사용회전수 r.p.m(min $^{-1}$ )	Total leakage 총드레인량 ℓ/min	Weight 중량 kg	GD $^2$ Moment of inertia N·m $^2$ (kgf. m $^2$ )	Matching chuck 적용척
YAST-100	40.8	6000	1.0	7.5	0.49(0.05)	CAS-06
YAST-125	40.8	6000	1.0	10.3	0.88(0.09)	CAS-08, CAS-10
YAST-150	40.8	5500	1.0	13.8	1.47(0.15)	CAS-10, CAS-12
YASTL-150	40.8	5500	1.0	15.5	-	CAS-15 이상
YAST-200	40.8	5500	1.0	22.2	3.62(0.37)	CAS-15 이상
YAST-200S	40.8	5500	1.0	24	0.42(0.05)	CAS-15 이상
YASTL-200	40.8	5500	1.0	24	0.42(0.05)	CAS-15 이상
YASTL-200S	40.8	5500	1.0	26	-	CAS-15 이상
YAST-245	40.8	2000	1.0	38	-	CAS-40, 50, 63
YAST-250	40.8	2000	1.0	38	-	CAS-40, 50, 63
YAST-250S	40.8	2000	1.0	38	-	CAS-40, 50, 63

## OUTWARD DRAWING 외형도



## DIMENSION 치수표

Model 형식	C	D	E	F	G	L0	L1	L2
YAST-100	135	100	80	30	21	266.6	185.5	164.5
YAST-125	160	130	110	35	25	276.5	195.5	174.5
YAST-150	185	130	110	45	30.5	283.5	202.5	181.5
YASTL-150	185	130	110	45	30.5	316.5	233	205
YAST-200	245	145	120	55	37	307	226	205
YAST-200S	245	222	120	55	37	289.5	206	187.5
YASTL-200	245	145	120	55	37	336.5	238.5	220
YASTL-200S	245	222	120	55	37	286.5	196	172
YAST-245	305	220	160	65	50	397	302	256
YAST-250	314	282	160	65	46	397	302	256
YAST-250S	305	275	160	65	50	328.5	207	178

Model 형식	L3	L4	L5	L6	L7 max	L7 min	T1	T2
YAST-100	81.5	37	154	35	45	25	6-M10X19	M20XP2.5
YAST-125	91.5	37	164	40	50	25	6-M12X22	M24XP3.0
YAST-150	98.5	37	171	45	55	25	6-M12X20	M30XP3.5
YASTL-150	131	37	198.5	45	80	30	6-M12X20	M30XP3.5
YAST-200	122	37	194.5	60	69	34	6-M16X29	M36XP4.0
YAST-200S	104.5	37	177	60	69	34	12-M16	M36XP4.0
YASTL-200	137	37	209.5	60	80	30	6-M16	M36XP4.0
YASTL-200S	133.5	-	163.5	60	80	30	6-M16	M36XP4.0
YAST-245	166	45	249	67	85	25	6-M20X30	M42XP3.0
YAST-250	166	46	249	67	85	25	6-ø18THRU	M42XP3.0
YAST-250S	145	-	174.5	60	85	25	12-M20	M42XP3.0

※치수 및 사양은 예고없이 변경 될 수 있습니다.  
 ※Specifications are subject to change without notice.



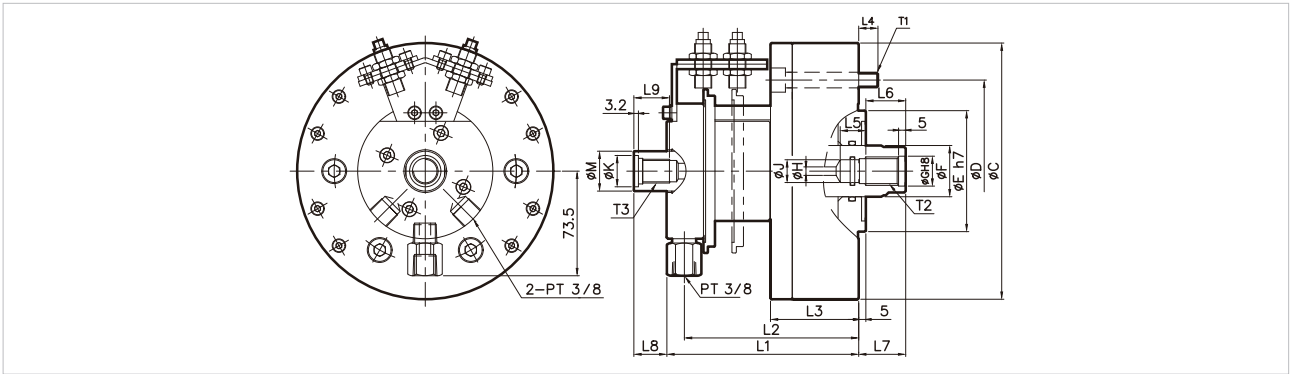
# YMS

## 고속중실형 박형실린더 근접스위치 부착형 CLOSED CENTER HYDRAULIC CYLINDER (PROXIMITY SWITCH TYPE)



- 길이가 짧음(박형)      ○ Short Length(Flat Type)
- 중심 관통경 확보      ○ Center Through Hole Secured  
High Performance and High Quality
- 작동속도의 증가      ○ High Operation Speed
- 안전 확보              ○ Safety Guaranteed
- 작동 위치 검출        ○ Detection of Operating Location

### OUTWARD DRAWING 외형도



### SPECIFICATIONS 사양표

Model 형식	Order NO. 오더번호	Cylinder Dia 실린더내경 mm	Piston stroke 피스톤스트로크 mm	Piston surface area 피스톤단면적cm <sup>2</sup>		Max. Draw bar pull 실린더추력 KN(kgf)	
				Push 압축	Pull 인축	Push 압축	Pull 인축
YMS-105-15	2MS10	105	15	83.0	76.4	31.2(3183)	28.7(2930)
YMS-120-20	2MS12	120	20	109.5	102.9	41.2(4200)	38.7(3946)
YMS-135-20	2MS13	135	20	141.9	132.9	53.4(5442)	50.0(5097)
YMS-140-25	2MS14	140	25	153.9	143.7	57.9(5902)	54.1(5511)
YMS-150-35	2MS15	155	35	188.6	176.1	70.9(7233)	66.3(6754)

Model 형식	Max. operating pressure 최고사용유압력 Mpa(kgf/cm <sup>2</sup> )	Max. permissible speed 최고사용회전수 r.p.m(min <sup>-1</sup> )	Total leakage 총드레인량 ℓ/min	Weight 중량 kg	GD <sup>2</sup> Moment of inertia N·m <sup>2</sup> (kgf. m <sup>2</sup> )	Matching chuck 적용척
YMS-105-15	40.8	6000	1.0	11.0	1.52(0.16)	CAS-06
YMS-120-20	40.8	5000	1.0	11.8	2.11(0.22)	CAS-08
YMS-135-20	40.8	5000	1.0	13.2	3.20(0.33)	CAS-08, CAS-10
YMS-140-25	40.8	5000	1.0	14.5	3.92(0.40)	CAS-10, CAS-12
YMS-150-35	40.8	4200	1.0	17.5	4.60(0.47)	CAS-12

### DIMENSION 치수표

Model 형식	C	D	E	F	G	H	J	K	M	L1	L2	L3	L4	L5	L6	L7max	L7min	L8	L9	T1	T2	T3
YMS-105-15	180	128	85	36	21	6	16	18	28	130	117.5	57	13.5	46	28	53	38	23	25	6-M10	M20XP2.5	PF3/8
YMS-120-20	192	150	120	36	21	6	16	18	28	139	126.5	65	15.5	46	28	53	33	23	25	6-M10	M20XP2.5	PF3/8
YMS-135-20	225	160	120	36	21	6	16	18	28	139	126.5	65	15.5	46	28	58	38	23	25	6-M10	M20XP2.5	PF3/8
YMS-140-25	225	160	120	36	21	6	16	18	28	144	131.5	70	15.5	46	28	58	33	23	25	6-M10	M20XP2.5	PF3/8
YMS-150-35	250	175	120	40	25	6	20	18	28	164	151.5	90	22.5	46	28	63	28	23	25	6-M12	M24XP3.0	PF3/8

※치수 및 사양은 예고없이 변경 될 수 있습니다.  
※Specifications are subject to change without notice.

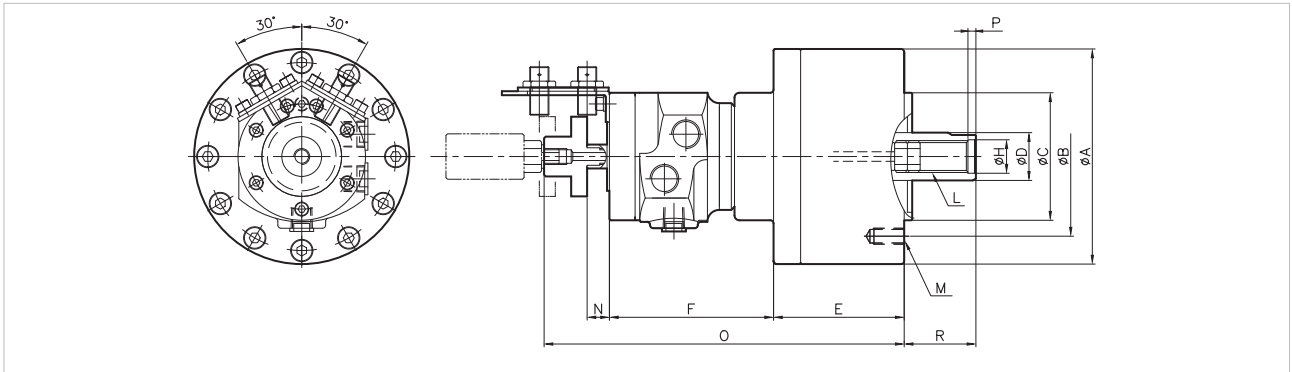
# YTRC

고속중실형회전유압실린더(주수형, 중심부관로형성)  
POWER CYLINDER WITH THROUGH HOLE



- 중실실린더중심부에관로형성
- It is a solid cylinder with one pipe way in central parts.
- Air Sensor 또는Coolant Blowing 가능
- It is able to air sensor or coolant bowing structure.

## OUTWARD DRAWING 외형도



## SPECIFICATIONS 사양표

Model 형식	Order NO. 오더번호	Cylinder Dia 실린더내경 mm	Piston stroke 피스톤스트로크 mm	Piston surface area 피스톤단면적cm <sup>2</sup>		Max. Draw bar pull 실린더추력KN(kgf)	
				Push 압축	Pull 인축	Push 압축	Pull 인축
YTRC100	2TRC100	105	20	86.5	79.5	31.8(3247)	29.3(2984)
YTRC125	2TRC125	130	25	132.5	123	48(4900)	45.1(4600)
YTRC140	2TRC140	140	35	150.8	141.2	55.5(5660)	52(5300)
YTRC200	2TRC200	200	35	309.4	293.4	113.9(11614)	108(11013)
YTRC250	2TRC250	250	60	515	482	189.6(19331)	177.4(18092)

Model 형식	Max. operating pressure 최고사용유압력 Mpa(kgf/cm <sup>2</sup> )	Max. permissible speed 최고사용회전수 r.p.m(min <sup>-1</sup> )	Total leakage 총드레인량 ℓ/min	Weight 중량 kg	GD <sup>2</sup> Moment of inertia N·m <sup>2</sup> (kgf·m <sup>2</sup> )	Matching chuck 적용척
YTRC100	40.8	6000	1	8	0.49(0.050)	CAS-06
YTRC125	40.8	5000	1	10.5	0.88(0.09)	CAS-08, CAS-10
YTRC140	40.8	4500	1	11.3	1.57(0.16)	CAS-10, CAS-12
YTRC200	40.8	4000	1	22.3	4.51(0.46)	CAS-15이상
YTRC250	40.8	3500	1	25.2	8.33(0.85)	CAS-40, 50, 63

## DIMENSION 치수표

Model 형식	A	B	C	D	E	F	H	L	M	Nmax	Nmin	Omax	Omin	P	Rmax	Rmin
YTRC100	135	100	80	30	82	103	21	M20×P2.5	M10, DP19	34	14	291	271	5	45	25
YTRC125	160	130	110	35	92	103	25	M24×P3.0	M12, DP22	34	14	311	286	5	50	25
YTRC140	175	130	110	35	106.5	98	25	M24×P3.0	M10, DP20	39.5	4.5	271	236	5	60	25
YTRC200	245	145	120	55	120.5	98	37	M36×P4.0	M16, DP29	39.5	4.5	285	250	15	60	25
YTRC250	305	220	160	65	170	98	44	M42×P3.0	M20, DP35	64.5	4.5	359.5	299.5	20	85	25

※치수 및 사양은 예고없이 변경 될 수 있습니다.  
※Specifications are subject to change without notice.



# SEOAM MANUAL CHUCK

최고라는 자부심으로 최선을 다합니다. 국내 최초로 유압척을 개발하고 발전시켰던 축적된 기술력과 끊임없는 노력으로 높은 파악력과 고속 경량화를 실현한 다양한 시리즈로 고객이 믿고 찾을 수 있는 제품과 서비스를 제공하여 드릴것을 약속 하겠습니다. 서암기계공업주식회사는 “최고의 품질”과 “고정밀도”를 자랑합니다.

We will make a great effort to get customers satisfaction with self-confidence of the best. Having accumulated technologies by developing own power chuck series for the first time in Korea and continuous improvement efforts, the SEOAM promises to provide world top class quality products and reliable services with various power chuck series directed to realizing high gripping force, high speed with light weight. SEOAM Machinery is proud of the highest quality and precision products.

## MS

3-조 연동척  
3-JAW SCROLL CHUCK



P57

## MSU

조 분리형 연동척  
TWO PIECE JAW SCROLL CHUCK



P59

## MSL

표준형 슬로터 척  
STANDARD SLOTTER CHL



P60

## MI

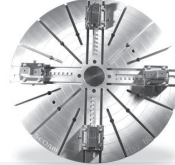
4-조 단동척  
4-JAW INDEPENDENT CHUCK



P61

## MU

표준형 메뉴얼 척  
MANUAL CHUCK



P63

## MIOC

대관통경 단동척  
INDEPENDENT OIL COUNTRY CHUCK



P64

# MS

## 3-조 연동척 3-JAW SCROLL CHUCK



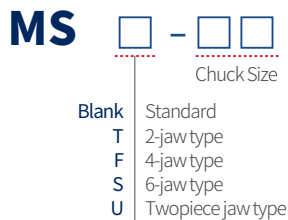
- 가장 일반적 모델
- Most general model
- 고품질, 긴 수명
- High quality, long durability
- 호환성
- Compatibility
- 부속품
- Parts

### SPECIFICATIONS 사양표

Model 형식	Order NO. 오더번호	Thru-hole (Diameter) 관통경(직경) mm	Max. permissible speed 최고사용회전수 r.p.m(min <sup>-1</sup> )	Weight (With standard soft jaws) 중량(표준소프트조 포함) kg	External diameter 척외경
MS-3	00103E	16	2500	1.5	85
MS-4	00104E	24	2500	1.5	110
MS-5	00105E	32	2500	4.5	130
MS-6	00106E	45	4000	7.5	165
MS-7	00107E	55	3500	11.5	190
MS-9	00109E	70	2900	19	230
MS-10	00110E	85	2500	26	273
MS-12	00112E	96	2200	38	310
MS-14	00114E	100	1500	54	355

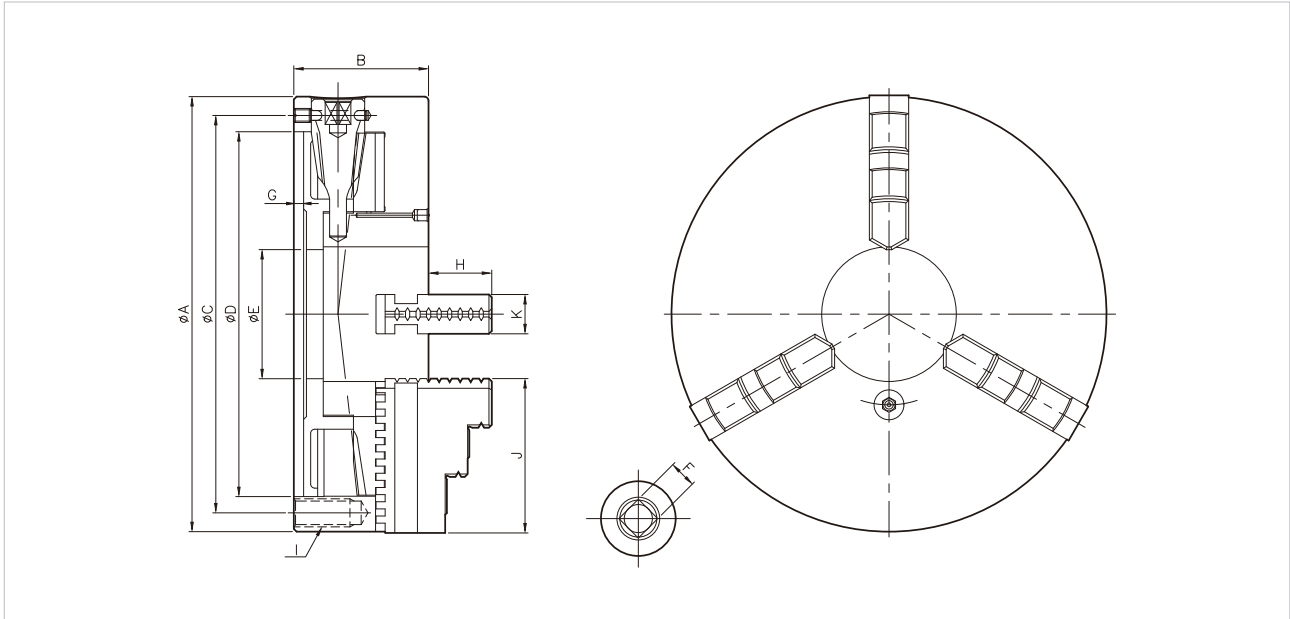
Model 형식	Gripping Dia(External gripping) 파악경 압축(외경파악)mm		Max. static gripping force 최대정적파악력 KN(kgf)	Gripping Dia(External gripping) 파악경 인축(외경파악)mm	
	Max 최대	Min 최소		Max 최대	Min 최소
MS-3	70	2	900	HJ-04A1	SJ-05T1
MS-4	95	3	1200	HJ-06T1	SJ-06T1
MS-5	110	3	1500	HJ-08T1	SJ-08T1
MS-6	160	3	3000	HJ-10T1	SJ-10T1
MS-7	180	4	3600	HJ-12A1	SJ-12A1
MS-9	220	5	3900	HJ-15T1	SJ-15A1
MS-10	260	5	4500	HJ-15T1	SJ-15A1
MS-12	300	10	5400	HJ-21B1	SJ-21A1
MS-14	315	25	4050	HJ-21B1	SJ-21A1

### MODEL DESCRIPTION 형식번호표시





## OUTWARD DRAWING 외형도



## DIMENSION 치수표

Model 형식	A	B	C	D	E	F
MS-3	85	45	73	60	16	7
MS-4	110	58	95	80	24	8
MS-5	130	60	115	100	32	8
MS-6	165	65	147	130	45	10
MS-7	190	75	172	155	55	11
MS-9	230	84	210	190	70	12
MS-10	273	86	250	230	85	12
MS-12	310	96	285	260	96	14
MS-14	355	110	328	300	100	14

Model 형식	G	H	I	J	K
MS-3	3.5	14.6	3-M6	35	11
MS-4	4.5	17.6	3-M8	42	14
MS-5	4.5	20	3-M8	50	16
MS-6	5	25	3-M10	65	19
MS-7	5	30	3-M10	75	22
MS-9	6	35	3-M12	85	24
MS-10	6	40	3-M12	98	29
MS-12	7	45	3-M12	110	30
MS-14	7	63	6-M12	133	35

※치수 및 사양은 예고없이 변경 될 수 있습니다.

※Specifications are subject to change without notice.

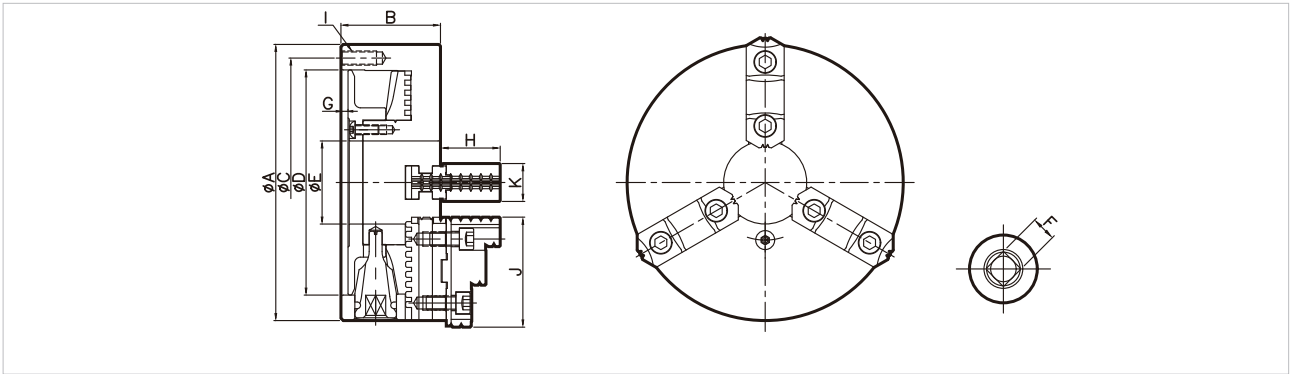
# MSU

## 조 분리형 연동척 TWO PIECE JAW SCROLL CHUCK



- 조오 분리형 연동척
- Jaw Detachable Scroll Chuck
- 정밀가공 용이
- Easy in Precise Processing
- 생산성 향상에 기여
- Contribution for Increasing Performance
- 고품질, 긴수명
- High Quality, Long Durability
- 호환성
- Compatibility
- 부속품
- Parts

### OUTWARD DRAWING 외형도



### SPECIFICATIONS 사양표

Model 형식	Order NO. 오더번호	Thru-hole (Diameter) 관통경(직경) mm	Max. permissible speed 최고사용회전수 r.p.m(min <sup>-1</sup> )	Weight (With standard soft jaws) 중량(표준소프트쥬포함) kg	External diameter 적외경
MSU-7	01507E	55	3500	13	190
MSU-9	01509E	70	2900	22	232
MSU-10	01510E	85	2500	29	273
MSU-12	01512E	96	3200	38	310
MSU-20	01520E	-	850	156	500

Model 형식	Gripping Dia(External gripping) 파악경 압축(외경파악)mm		Max. static gripping force 최대정적파악력 KN(kgf)	Gripping Dia(External gripping) 파악경 인축(외경파악)mm	
	Max 최대	Min 최소		Max 최대	Min 최소
MSU-7	180	4	3600	62	170
MSU-9	220	5	3900	70	210
MSU-10	260	5	4500	80	250
MSU-12	300	10	5400	90	290
MSU-20	461	45	6650	155	453

### DIMENSION 치수표

Model 형식	A	B	C	D	E	F	G	H	I	J	K
MSU-7	190	76	172	155	55	11	5	38.3	3-M10	88	28
MSU-9	232	84	210	190	70	12	6	48.9	3-M12	100	31.5
MSU-10	273	87	250	230	85	12	6	52.2	3-M12	110	35
MSU-12	310	96	285	260	96	14	7	52.8	3-M12	125	40
MSU-20	500	143	235	300	177	19	18	90	6-M20	161	55

※치수 및 사양은 예고없이 변경 될 수 있습니다.  
※Specifications are subject to change without notice.



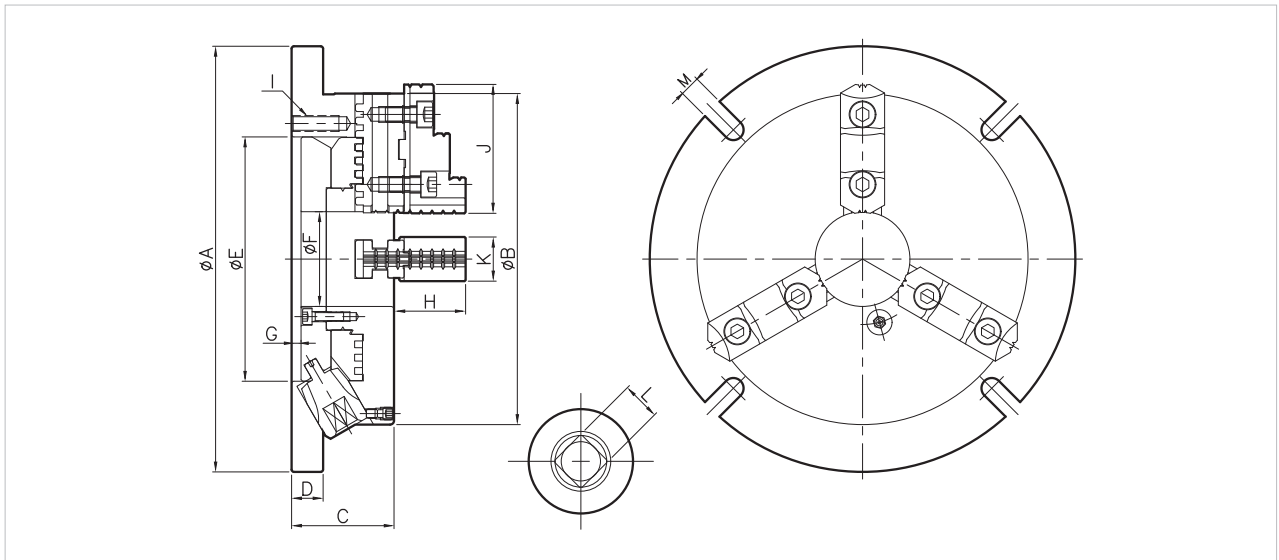
# MSL

## 표준형 슬로터 척 STANDARD SLOTTER CHUCK



- 가장 일반적 모델
- General Model
- 고품질, 긴 수명
- High Quality & Long Durability
- 호환성
- Compatibility
- 부속품
- Parts

### OUTWARD DRAWING 외형도



### SPECIFICATIONS 사양표

Model 형식	Order NO. 오더번호	Chuck size 척외경 mm	Thru-hole Dia 관통경 mm	Gripping Force 파악력 kgf	Gripping Dia(External gripping)				Weight 중량 kg	Max.permissible speed 최고사용회전수 r.p.m(min <sup>-1</sup> )
					External (∅)		Internal (∅)			
					Max	Min	Max	Min		
MSL-06	001SL-06	220	45	2550	8	160	48	150	7.9	2000
MSL-08	001SL-08	270	60	3060	11	200	62	190	13.3	2000
MSL-10	001SL-10	315	80	4488	12	250	72	240	26.2	1800
MSL-12	001SL-12	370	105	4488	15	300	86	290	37.6	1800

### DIMENSION 치수표

Model 형식	A	B	C	D	E	F	G	H	I	J	K	L	M
MSL-06	220	170	58	18	130	45	6	26	3-M10X1.5P	68	26	10	13
MSL-08	270	210	65	20	155	60	6	28	3-M10X1.5P	82	28	11	13
MSL-10	315	255	73	20	190	80	6	32	3-M12X1.75P	93	32	12	16
MSL-12	370	305	80	22	250	105	5	40	3-M10X1.75P	118	40	14	18

※치수 및 사양은 예고없이 변경 될 수 있습니다.  
※Specifications are subject to change without notice.



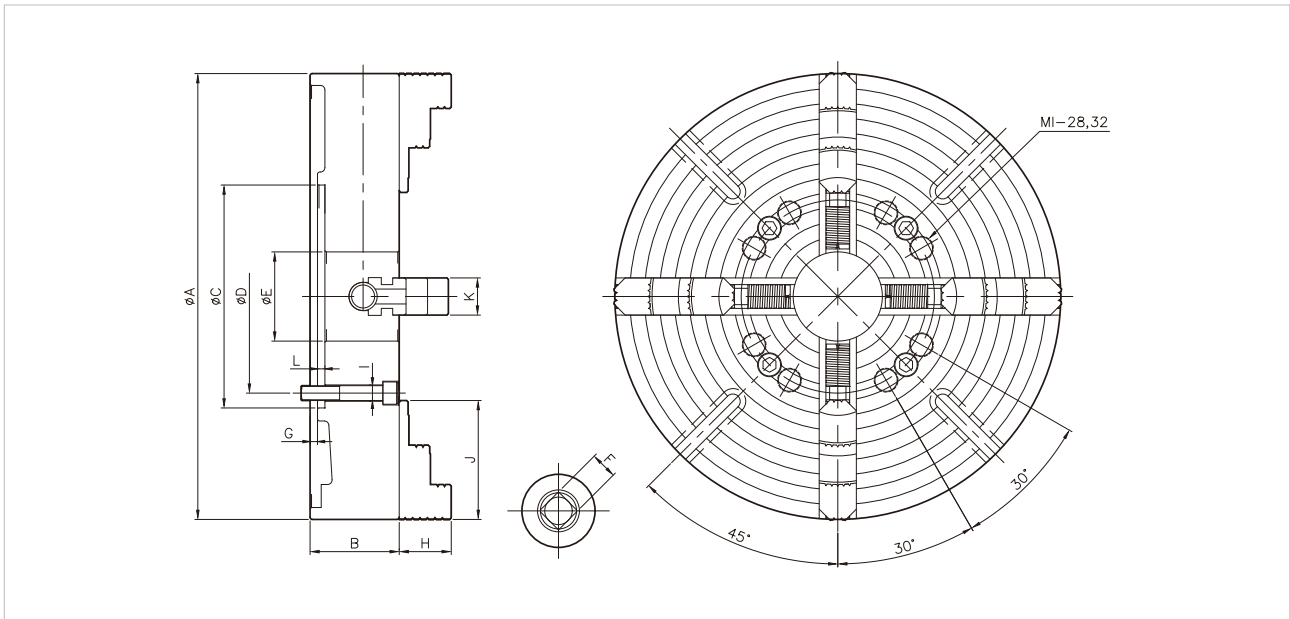
- 가장 일반적 모델
- 고품질, 긴 수명
- 호환성
- 부속품
- 맞춤서비스
- Most general model
- High quality, long durability
- Compatibility
- Parts
- Custom service

**SPECIFICATIONS** 사양표

Model 형식	Order NO. 오더번호	Thru-hole (Diameter) 관통경(직경) mm	Max. permissible speed 최고사용회전수 r.p.m(min <sup>-1</sup> )	Weight (With standard soft jaws) 중량(표준소프트조 포함) kg
MI-6	00706	40	1600	6.1
MI-8	00708	50	1600	14.8
MI-10	00710	55	1600	21
MI-12	00712	65	1400	29.5
MI-14	00714	75	1400	40
MI-16	00716	90	1200	56.5
MI-18	00718	100	1200	70
MI-20	00720	110	900	90
MI-24	00724	120	900	150
MI-28	00728	140	700	220
MI-32	00732	140	600	270
MI-40	00740	190	500	550
MI-50	00750	180	320	1330
MI-63	00763	310	240	2290
MI-80	MU80	210	-	-

Model 형식	External diameter 최외경	Max. static gripping force 최대정적파악력 KN(kgf)	Gripping Dia(External gripping) 파악경 압축(외경파악) mm
			Max 최대
MI-6	150	600	140
MI-8	200	1000	185
MI-10	250	1400	220
MI-12	300	1600	265
MI-14	350	1700	310
MI-16	400	2000	360
MI-18	450	2000	405
MI-20	500	2200	450
MI-24	600	2300	550
MI-28	710	2350	650
MI-32	813	2400	755
MI-40	1000	3100	910
MI-50	1300	4100	1150
MI-63	1600	4100	1440
MI-80	2000	-	1830

## OUTWARD DRAWING 외형도



## DIMENSION 치수표

Model 형식	A	B	C	D	E	F	G	H	I	J	K	L
MI-6	150	60	130	115	40	8	-	25	4-M10	55	25	5
MI-8	200	75	175	155	50	10	-	30	4-M12	75	30	6
MI-10	250	80	150	125	55	10	2.5	35	4-M12	90	30	6
MI-12	300	90	170	140	65	12	3	40	4-M12	4	35	6
MI-14	350	90	190	160	75	12	3	45	4-M12	110	35	8
MI-16	400	100	210	180	90	14	5	50	4-M16	120	40	8
MI-18	450	105	230	200	100	14	5	55	4-M16	130	40	8
MI-20	500	110	250	220	110	14	5	60	4-M16	140	45	8
MI-24	300	120	300	260	120	15	10	70	4-M20	160	50	10
MI-28	710	120	350	300	140	14	8	70	8-M20X2.5	180	50	12
MI-32	913	120	400	350	140	14	8	70	8-M20X2.5	180	50	12
MI-40	1000	175	460	510	190	17	1	88	6-M24X3.0	196	55	14
MI-50	1300	200	520	463.6	180	26	-	127	8-M24X3.0	270	80	6
MI-63	1600	220	720	647.6	310	22	-	127	8-M30X3.5	270	80	6
MI-80	2000	260	350	1120	210	-	18	195	-	276	80	17

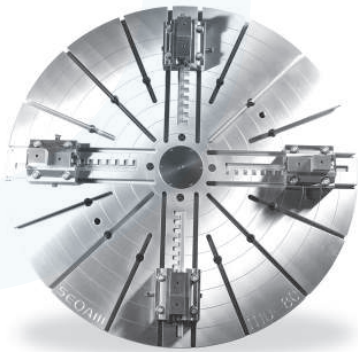
※치수 및 사양은 예고없이 변경 될 수 있습니다.  
 ※Specifications are subject to change without notice.

## MODEL DESCRIPTION 형식번호표시



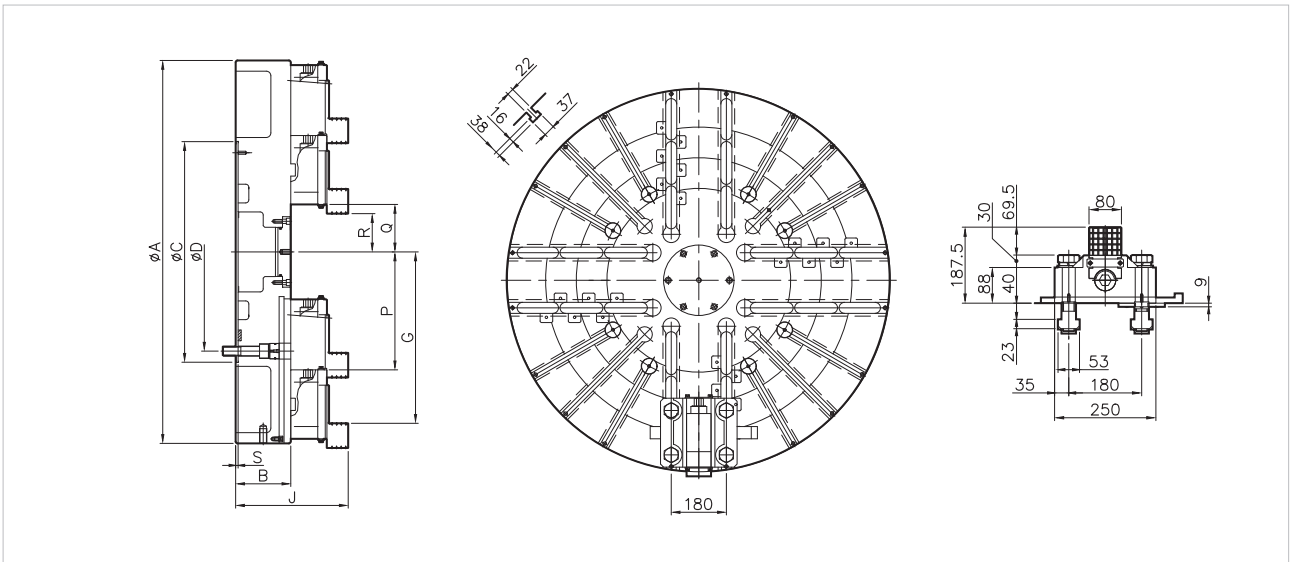
# MU

표준형 메뉴얼 척  
MANUAL CHUCK



- 조작성이 편리한 메뉴얼척(2단 메뉴얼 JAW 적용)
- Easy to operate scroll chuck with sepped jaws.

## OUTWARD DRAWING 외형도



## SPECIFICATIONS 사양표

Model 형식	Order NO. 오더번호	Box Jaw stroke 쥘스트로크 mm	Max. static gripping force 최대정적파악력 KN(kgf)	Gripping Dia(External gripping) 파악경(외경파악) mm		Max.permissible speed 최고사용회전수 r.p.m(min <sup>-1</sup> )	Weight 중량 kg	GD <sup>2</sup> Moment of inertia N·m <sup>2</sup> (kgf. m <sup>2</sup> )
				Max	Min			
MU-50	1MU50	50	-	1100	260	400	900	-
MU-55	1MU55	50	-	1250	260	400	1350	-
MU-63	1MU63	50	-	1400	330	300	1650	-
MU-70	1MU70	50	-	1590	330	250	2000	-
MU-80	1MU80	50	-	1820	330	250	3200	-

## DIMENSION 치수표

Model 형식	A	B	C	D	E	F	G	H	I	J	K
MSU-7	190	76	172	155	55	11	5	38.3	3-M10	88	28
MSU-9	232	84	210	190	70	12	6	48.9	3-M12	100	31.5
MSU-10	273	87	250	230	85	12	6	52.2	3-M12	110	35
MSU-12	310	96	285	260	96	14	7	52.8	3-M12	125	40
MSU-20	500	143	235	300	177	19	18	90	6-M20	161	55

※치수 및 사양은 예고없이 변경 될 수 있습니다.  
※Specifications are subject to change without notice.

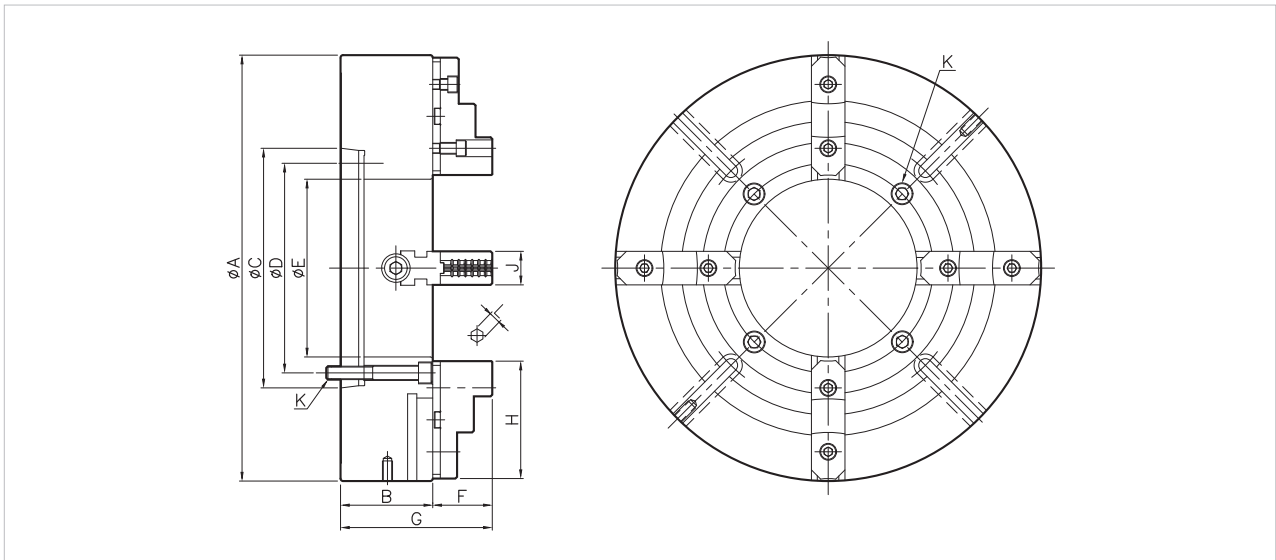
# MIOC

대관통경 단동척  
INDEPENDENT OIL COUNTRY CHUCK



- 강한 내구성(스틸 바디)
- High durability(Steel Body)
- 산업용 파이프 가공시 적합
- Suitable such as industrial pipes

## OUTWARD DRAWING 외형도



## SPECIFICATIONS 사양표

Model 형식	Order NO. 오더번호	Chuck size 착외경 mm	Thru-hole Dia 관통경 mm	Gripping Force 파악력 kgf	Gripping Dia(External gripping)		Weight 중량 kg	Max.permissible speed 최고사용회전수 r.p.m(min <sup>-1</sup> )
					External (∅) Max	Internal (∅) Min		
MIOC-20	00720OC	508	210	2800	508	450	180	1000
MIOC-24	00724OC	600	310	3904	600	518	190	850
MIOC-28	00728OC	710	310	3056	710	710	340	750
MIOC-32	00732OC	800	380	3300	800	800	463	600

## DIMENSION 치수표

Model 형식	A	B	C	D	E	F	G	H	J	K	L	Type of Mounting
MIOC-20	508	110	-	250	210	71	181	140	40	M16	14	A2-15
MIOC-24	600	140	-	500	280/310	94.5	234.4	159.5	55	M24	17	A2-15/A2-20
MIOC-28	710	140	-	463.6	280/310	89	229	205	60	M24	22	A2-15/A2-20
MIOC-32	800	145	-	463.6	280/380	104.15	249.15	200	60	M24	22	A2-15/A2-20

※치수 및 사양은 예고없이 변경 될 수 있습니다.  
※Specifications are subject to change without notice.

# SEOAM ACCESSORIES

최고라는 자부심으로 최선을 다합니다. 국내 최초로 유압척을 개발하고 발전시켰던 축적된 기술력과 끊임없는 노력으로 높은 파악력과 고속 경량화를 실현한 다양한 시리즈로 고객이 믿고 찾을 수 있는 제품과 서비스를 제공하여 드릴것을 약속 하겠습니다. 서암기계공업주식회사는 “최고의 품질”과 “고정밀도”를 자랑합니다.

We will make a great effort to get customers satisfaction with self-confidence of the best. Having accumulated technologies by developing own power chuck series for the first time in Korea and continuous improvement efforts, the SEOAM promises to provide world top class quality products and reliable services with various power chuck series directed to realizing high gripping force, high speed with light weight. SEOAM Machinery is proud of the highest quality and precision products.

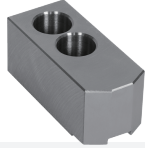
A photograph of a modern industrial building with a white facade and large windows. The building is viewed from a low angle, looking up. The sky is blue with some light clouds. The company name 'SEOAM MACHINERY INDUSTRY' is prominently displayed on the upper part of the building in large, blue, 3D-style letters.

SEOAM  
MACHINERY INDUSTRY

## SOFT JAW

P67

소프트 죠  
SOFT JAW



## HARD JAW

P68

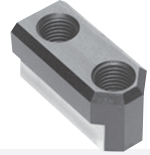
하드 죠  
HARD JAW



## JAW NUT

P 69

죤너트  
JAW NUT



## ADAPTER

P 70

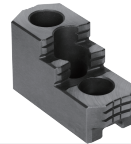
어댑터  
ADAPTER



## MS-JAW

P72

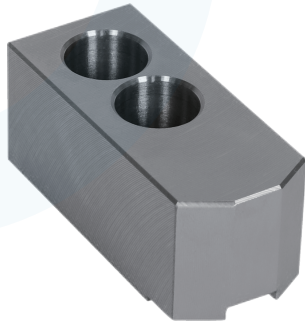
메뉴얼 척 죠  
MANUAL CHUCK JAW



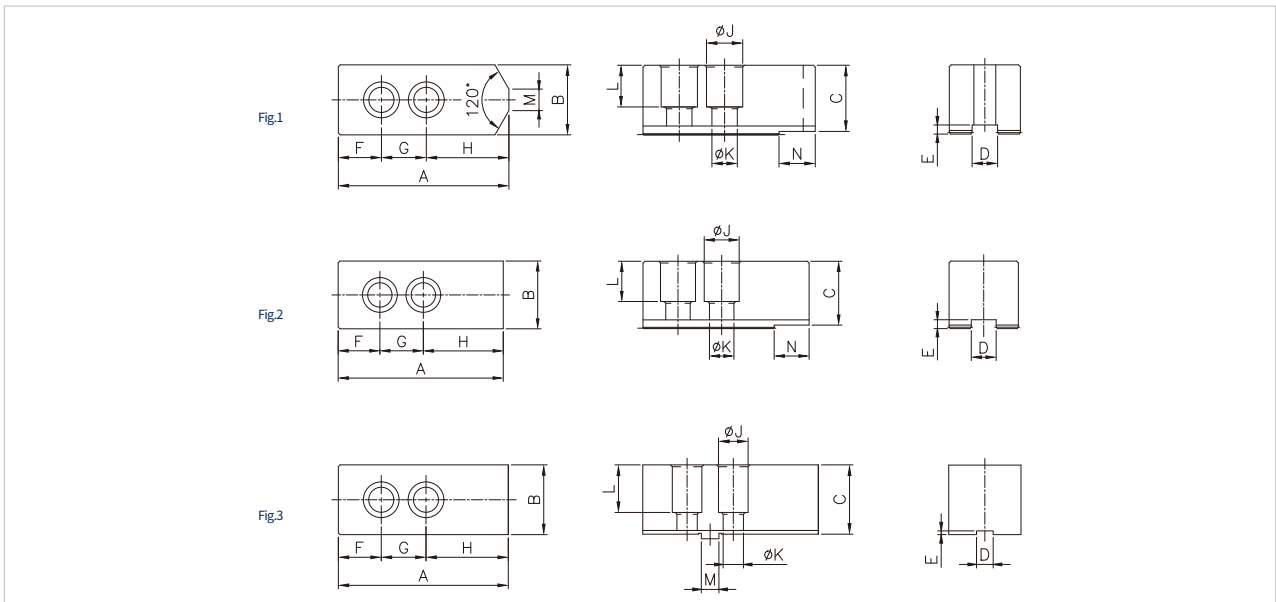


# SOFT JAW

소프트 죠  
SOFT JAW



## OUTWARD DRAWING 외형도



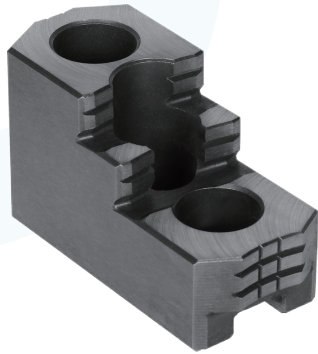
## DIMENSION 치수표

Model 형식	Fig	Serration	A	B	C	D	E	F	G	H	J	K	L	M	N	Matching Chuck 적용척
SJ-04T2	1	1.5x60°	54	25	25	10	5	10	14	30	13.5	9	14	8	3	CAS-4
SJ-05T1	1	1.5x60°	54	23	25	10	4	11.5	14	28	13.5	8.5	16.5	5	-	CAH-5
SJ-06T1	1	1.5x60°	72	31	31.5	12	5	15	20	37	17.5	11	19.5	12	15	CAH/CAS/CGH-6
SJ-08T1	1	1.5x60°	95	37	37.5	14	5	20	25	50	20	14	22.5	12	20	CAH/CAS/CGH-8
SJ-10T1	1	1.5x60°	110	44	44.5	16	5	30	30	50	20	14	28.5	15	20	CAH/CAS/CGH-10
SJ-12T1	2	1.5x60°	129	49	49	18	6	39	30	60	23	16	31	-	-	CAS-12
SJ-12A1	2	1.5x60°	111	49	49.5	21	5	21	30	60	25	17	31.5	-	-	CAH-12
SJ-15A1	2	1.5x60°	165	59	59.5	22	8	47	43	75	32	22	36	-	-	CAH-15,18
SJ-15A2	2	3.0x60°	156	65	70	26	8	34	50	72	32	21	50	-	-	CASD-15,18,21
SJ-15A3	2	1.5x60°	135	50	59	25.5	5	26	43	66	32	22	39	-	-	CAS-15,18
SJ-21A1	2	3.0x60°	180	59	59.5	25	9.5	40	60	80	32	22	36	-	-	CAH/CAS-21,24
SJ-21A2	2	3.0x60°	180	65	70	26	8	34	50	96	32	22	50	-	-	CASD-24
SJ-32A1	3	-	165	75	83	12.7	12.5	21.9	76.2	66.9	32	27	54	19.03	-	CAS-32, 32HC
SJ-40A1	3	-	200	98	110	30	6	35	100	65	40	27	86	19.03	-	CAS-40, 50
SJ-40A2	3	-	270	110	110	30	8.5	48.8	2-76.2	68.8	40	27	85	19.03	-	CAS-40HC, 50HC

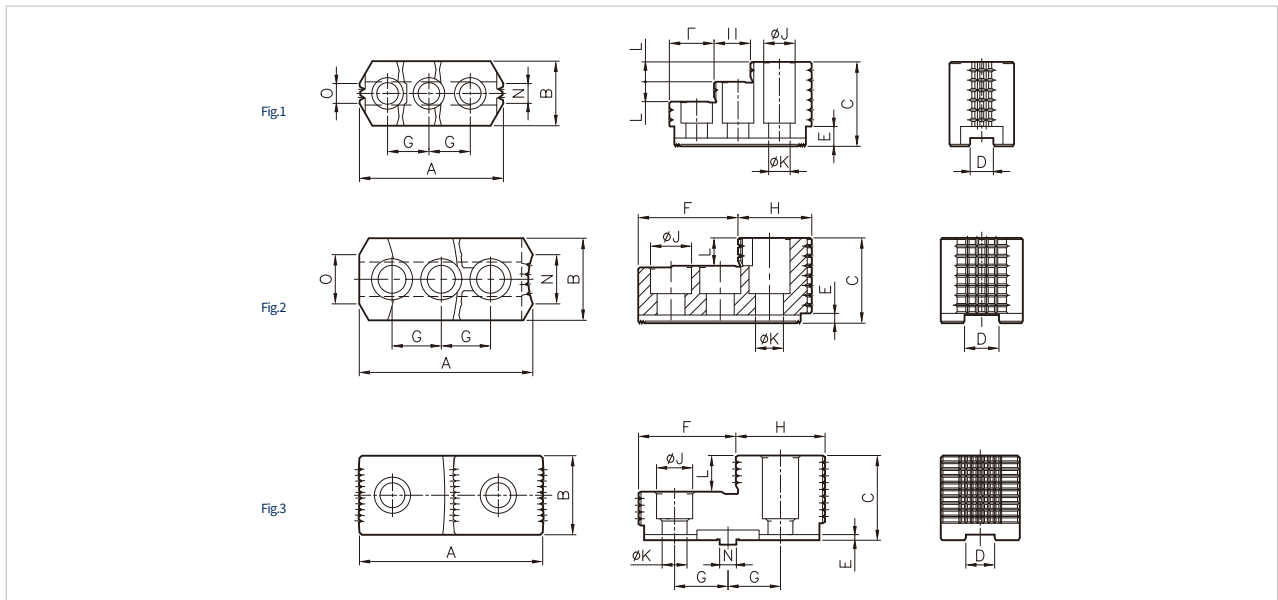
※치수 및 사양은 예고없이 변경 될 수 있습니다.  
※Specifications are subject to change without notice.

# HARD JAW

하드 죠  
HARD JAW



## OUTWARD DRAWING 외형도



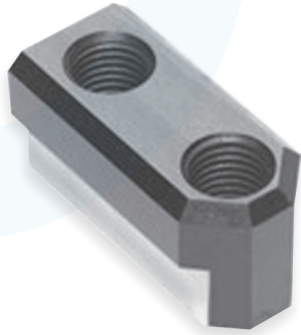
## DIMENSION 치수표

Model 형식	Fig	Serration	A	B	C	D	E	F	G	H	J	K	L	N	O	Matching Chuck 적용척
HJ-06T1	1	1.5x60°	75.5	31	41	12	5	30	20	12	17.5	11	10	10	15	CAH/CAS-6
HJ-08T1	1	1.5x60°	87	39	51	14	5	27	25	22	19	13	12	12	12	CAH/CGH/CAS-8
HJ-10T1	1	1.5x60°	101	40	54	16	5	43	30	17	19	13	13	15	15	CAH/CGH/CAS-10
HJ-12A1	2	1.5x60°	105.8	50	55	21	5	60.5	30	45.3	25	17	17	30	30	CAH-12
HJ-12T1	1	1.5x60°	104.4	50	62	18	6	29.6	30	30.3	23	16	15	25	25	CAS-12
HJ-15T1	1	1.5x60°	159.2	62	86	22	8	66	43	35	32	21	20	40	40	CAH-15,18
HJ-15A1	2	3.0x60°	153.5	65	75	26	8	83	50	70.5	32	22	30	44	44	CASD-15,18,21
HJ-15A3	1	1.5x60°	149	62	86	25.5	5	69	43	27	32	21	20	43	38	CAS-15,18
HJ-21B1	2	3.0x60°	159.5	80	90	25	12	103.48	50	56.2	32	22	40	55	-	CAH/CAS-21,24
HJ-32A1	3	-	145	70	75	12.7	5	66	76.2	79	32	22	32	19.03	-	CAS-32,32HC
HJ-40A1	3	-	170	90	110	30	6	100	100	70	40	27	47	19.03	-	CAS-40,50
HJ-40A2	3	-	222.5	80	117	30	8.5	133	114.3	89.5	40	27	55	19.03	-	CAS-40HC,50HC

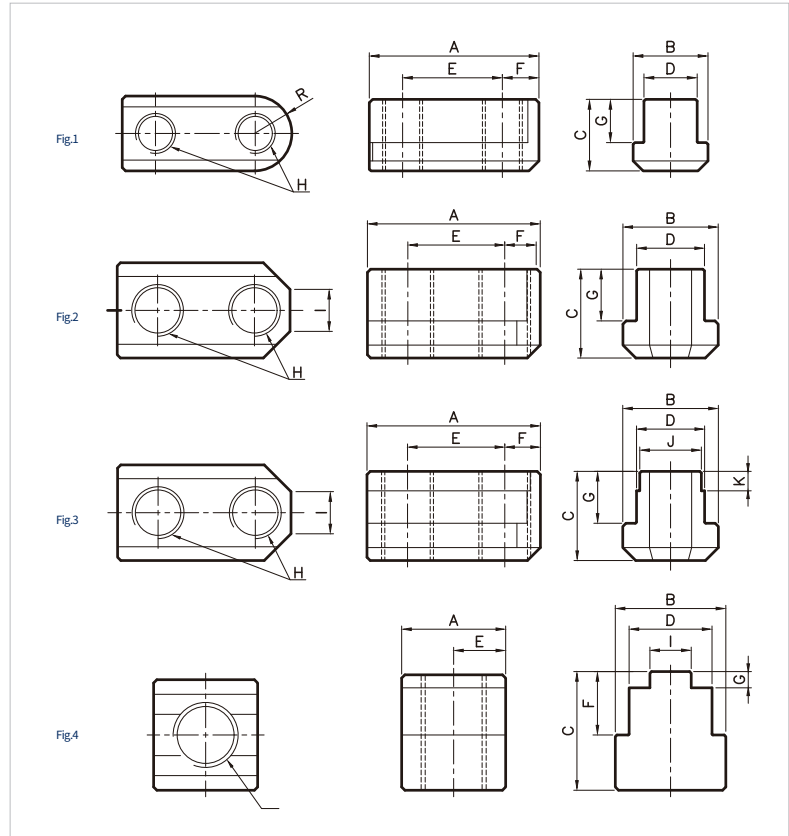
※치수 및 사양은 예고없이 변경될 수 있습니다.  
※Specifications are subject to change without notice.

# JAW NUT

쥬 너트  
JAW NUT



## OUTWARD DRAWING 외형도



## DIMENSION 치수표

Model 형식	Fig	A	B	C	D	E	F	G	H	I	J	R
CAH-05	1	25	14.5	14.5	10	14	5.5	9	M8	-	-	7.5
CAH-06	1	35	17.5	18.5	12	20	8	11	M10	-	-	8.75
CAH-08	1	46	20.5	20.5	14	25	10	12	M12	-	-	10.25
CAH-10	1	51	22.5	21.5	16	30	11	13	M12	-	-	11.25
CAH-12	2	53.5	29.4	27.5	21	30	11	16	M16	13	-	-
CAH-15, 18	3	80	33.5	45.5	24	43	17	29	M20	11	22	-
CAH-21, 24	2	100	37.5	45	25	60	20	26	M20	16	-	-
CAS-06	2	36	17.5	22.5	12	20	7.5	15	M10	6	-	-
CAS-08	2	48	20.5	25.5	14	25	11	16	M12	8	-	-
CAS-10	2	55	23	25.5	16	30	11	16	M12	8	-	-
CAS-12	2	55.5	26.5	33.5	18	30	11.5	20	M14	12	-	-
CAS-15, 18	2	75	35	39	25.5	43	16	20	M20	12	-	-
CAS-21, 24	2	100	37.5	45	25	60	20	26	M20	16	-	-
CAS-24	2	80.5	34	39	26	50	14.5	22	M20	10	-	-
CAS-32	4	32	34	36.5	25.5	16	19.5	5	M20	12.7	-	-
CAS-40	4	36	43	44	30	21.5	26	-	M24	-	-	-

※치수 및 사양은 예고없이 변경 될 수 있습니다.  
※Specifications are subject to change without notice.

# ADAPTER

어댑터  
ADAPTER



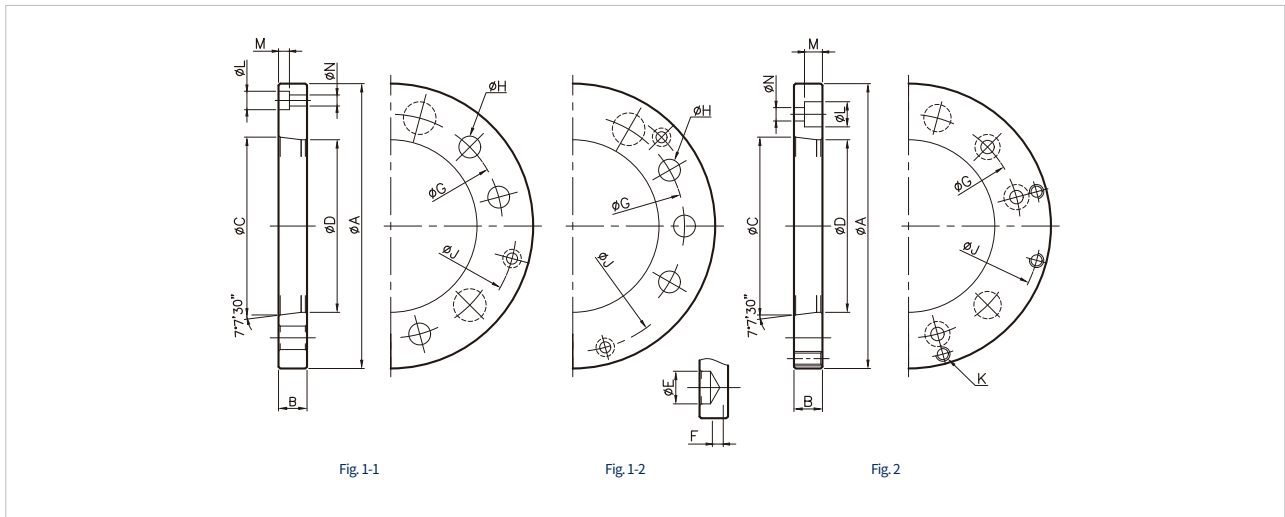
## MODEL DESCRIPTION 형식번호표시

**AD**    -      - **A**    

Chuck Size      Spindle Nose

Black      Standard  
T          2-jaw type  
F          4-jaw type

## OUTWARD DRAWING 외형도



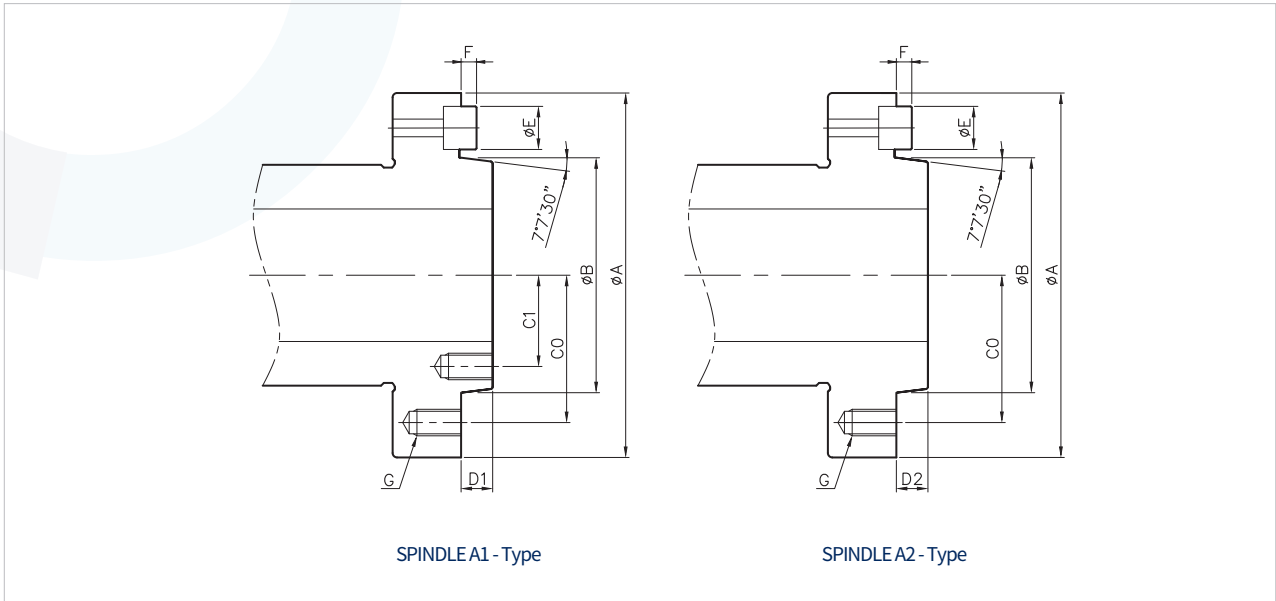
## DIMENSION 치수표

Model 형식	spindle nose	Fig	A	B	C	D	E	F	G	H	J	K	L	M	N	Matching Chuck 적용성
AD-05A04	A2-4	1-1	110	15	63.513	61	14.7	6.5	82.55	12	96	-	11	6.5	6.6	CAH, CAS-05
AD-06A05	A2-5	1-1	140	15	82.563	79.7	16.3	6.5	104.78	12	116	-	11	6.5	6.6	CAH, CAS-06
AD-08A05	A2-5	2	170	25	82.563	79.7	16.3	6.5	104.78	-	133.35	M12	17.5	11.5	11	CAH, CAS-08
AD-08A06	A2-6	1-1	170	17	106.375	103	19.45	6.5	133.35	13.5	150	-	11	6.5	6.6	CAH, CAS-08
AD-10A06 AD-12A06	A2-6	2	220	26	106.375	103	19.45	6.5	133.35	-	171.45	M16	20	13.5	14	CAH, CAS-10
AD-10A08 AD-12A08	A2-8	1-1	220	18	139.719	136	24.2	8	171.45	18	190	-	14	10	9	CAH, CAS-10
AD-15A11	A2-11	1-1	300	22	196.87	192.1	29.36	10	235	21	260	-	17	11	11	CAH-15
AD-18A11	A2-11	1-1	380	22	196.87	192.1	29.36	10	235	22	320	-	17.5	11	11	CAH-18
AD-24A15	A2-15	1-1	380	27	285.77	280.28	35.5	10	330.2	24	330.2	-	20	14	14	CAH-24
ADT-06A05	A2-5	1-2	140	15	82.563	79.7	16.3	6.5	104.78	12	116	-	11	6.5	6.6	CAHT, CAST-06
ADT-08A06	A2-6	1-2	170	17	106.375	103	19.45	6.5	133.35	13.5	150	-	11	6.5	6.6	CAHT, CAST-08
ADT-10A08	A2-8	1-2	220	18	139.719	136	24.2	8	171.45	18	190	-	14	10	9	CAHT, CAST-10
ADF-08A06	A2-6	1-1	170	17	106.375	103	19.45	6.5	133.35	13.5'	150	-	11	6.5	6.6	CAHF-08
ADF-12A08	A2-8	2	220	32	139.719	136	24.2	8	171.45	-	171.45	M16	26	17.5	18	CAHF-12
ADF-15A11	A2-11	1-1	300	22	196.87	192.9	29.36	10	235	21	260	-	17	11	11	CAHF-15
ADF-18A11	A2-11	1-1	380	22	196.87	192.1	29.36	10	235	22	320	-	17.5	11	11	CAHF-18
ADF-21A15	A2-15	1-1	380	27	285.77	280.28	36	12	330.2	24	330.2	-	20	14	14	CAHF-21
ADF-24A15	A2-15	1-1	380	27	285.77	280.28	36	10	330.2	24	330.2	-	20	13	14	CAHF-24

※치수 및 사양은 예고없이 변경 될 수 있습니다.  
※Specifications are subject to change without notice.

# Short taper Spindle Nose

주축단 규격  
SHORT TAPER SPINDLE NOSE



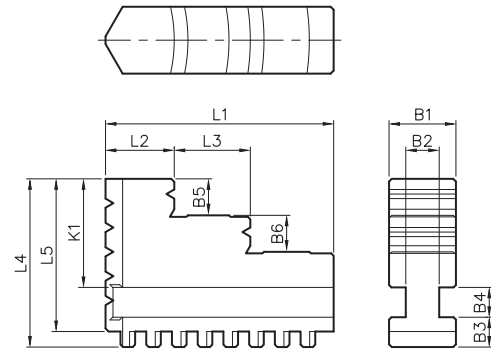
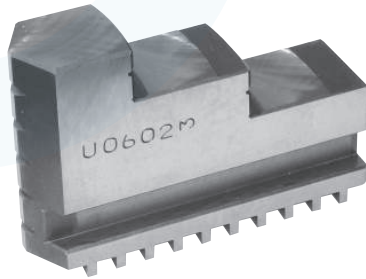
## DIMENSION 치수표

Spindle nose	A	B	C0	C1	A1-Type D1	A1-Type D2	E	F	G
3	92	53.975	35.3	-	-	11	-	-	M10
4	108	63.513	41.3	-	-	11	14.15	5	M10
5	133	82.563	52.4	30.95	14.29	13	15.9	5	M10
6	165	106.375	66.7	41.3	15.88	14	19.05	5	M12
8	210	139.719	85.7	55.55	17.46	16	23.8	6	M16
11	280	196.869	117.5	82.55	19.55	18	28.6	8	M24
15	380	285.77	165.1	123.8	20.64	19	34.9	8	M24
20	520	412.77	231.8	184.15	22.23	21	41.3	8	M24

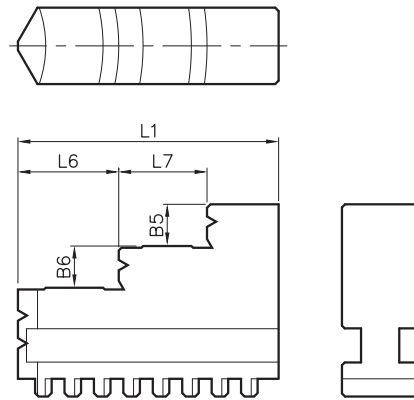
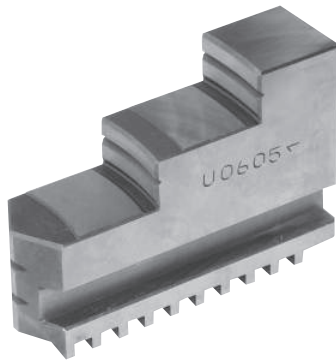
※치수 및 사양은 예고없이 변경 될 수 있습니다.  
※Specifications are subject to change without notice.

# MS-JAW

메뉴얼 척 조  
MANUAL CHUCK JAW



<내조 Internal Jaw>



<외조 External Jaw>

## DIMENSION 치수표

Model 형식	L1	L2	L3	L4	L5	L6	L7	B1	B2	B3	B4	B5	B6	K1
MS-07	75	22.6	25	55.3	50.2	29	25.4	22	11	9.8	9.8	12	12	35.7
MS-09	85	25.8	28	64.3	59.2	30.9	28	24	13.1	11	11.4	14	14	41.9
MS-10	98	30.3	33	68.3	63.1	38.2	33	28	15.1	11.2	11.4	15	15	45.7
MS-12	110	34	35	82.3	75.8	42.5	35	30	14.9	13.35	16	16	16	52.95
MS-14	132	40	42	93.9	86.8	51.5	41.5	35	20	16	18	18	18	59.9

※치수 및 사양은 예고없이 변경 될 수 있습니다.  
※Specifications are subject to change without notice.

---

# SEOAM

## SPECIAL CHUCK

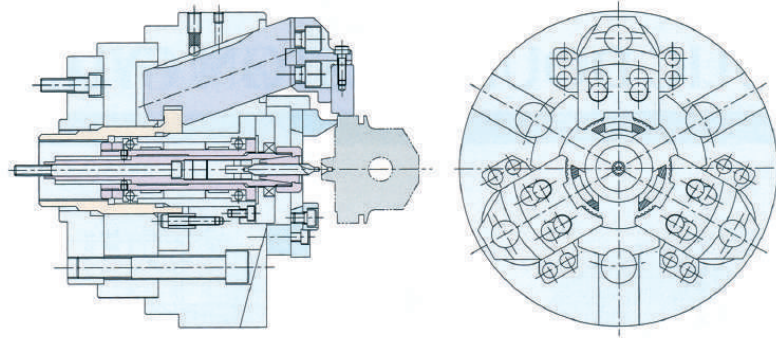
최고라는 자부심으로 최선을 다합니다. 국내 최초로 유압척을 개발하고 발전시켰던 축적된 기술력과 끊임없는 노력으로 높은 파악력과 고속 경량화를 실현한 다양한 시리즈로 고객이 믿고 찾을 수 있는 제품과 서비스를 제공하여 드릴것을 약속 하겠습니다. 서암기계공업주식회사는 “최고의 품질”과 “고정밀도”를 자랑합니다.

We will make a great effort to get customers satisfaction with self-confidence of the best. Having accumulated technologies by developing own power chuck series for the first time in Korea and continuous improvement efforts, the SEOAM promises to provide world top class quality products and reliable services with various power chuck series directed to realizing high gripping force, high speed with light weight. SEOAM Machinery is proud of the highest quality and precision products.

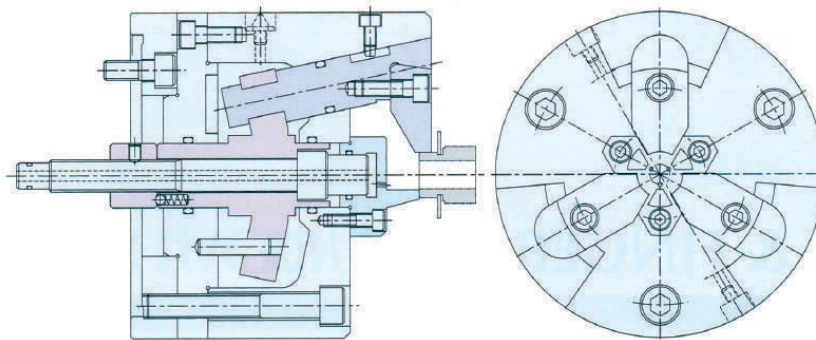




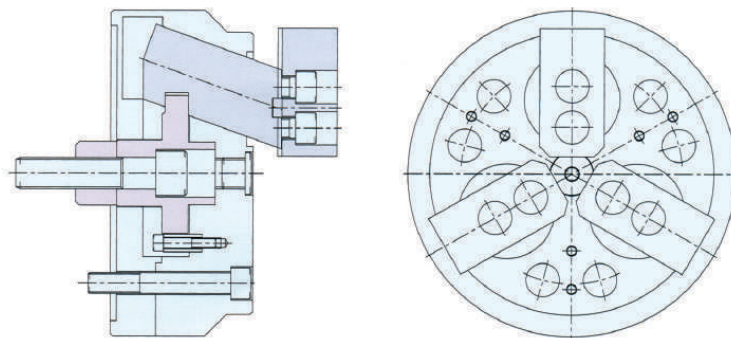
## DRAW DOWN CHUCK & CENTERING : Pistion



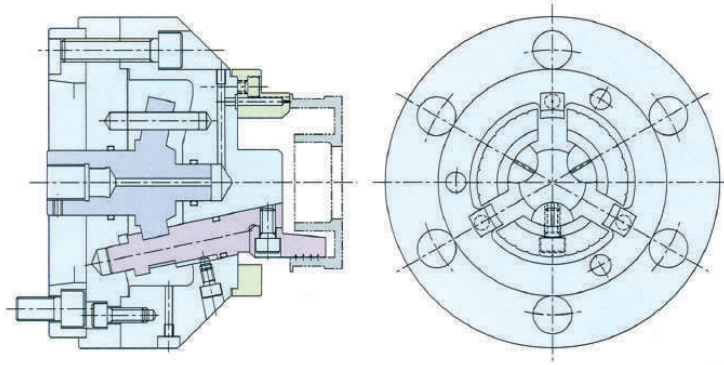
## OUTSIDE PIN ARBOR CHUCK : Pinion gear



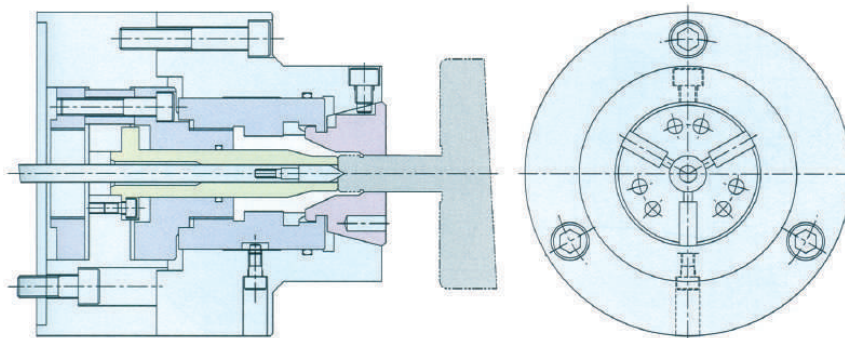
## INSIDE DRAW DOWN CHUCK : Inside Chucking Standard(C13M)



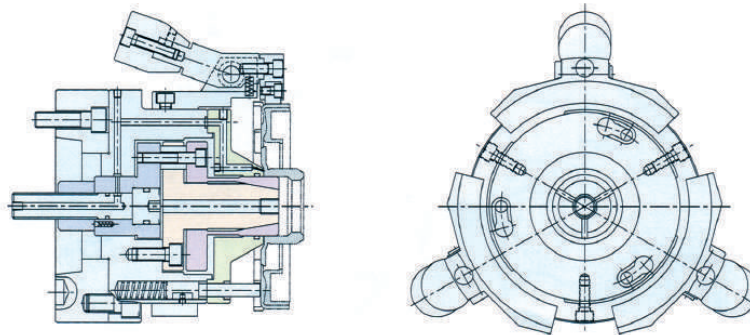
## INSIDE PIN ARBOR CHUCK : Pully



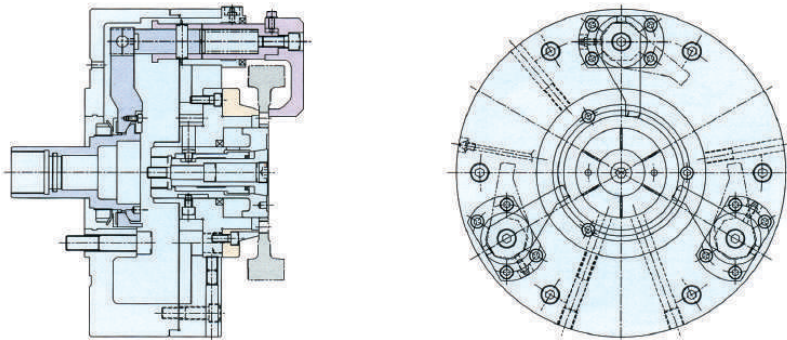
## RUBBER COLLET CHUCK : Motor Rotor ASS'Y



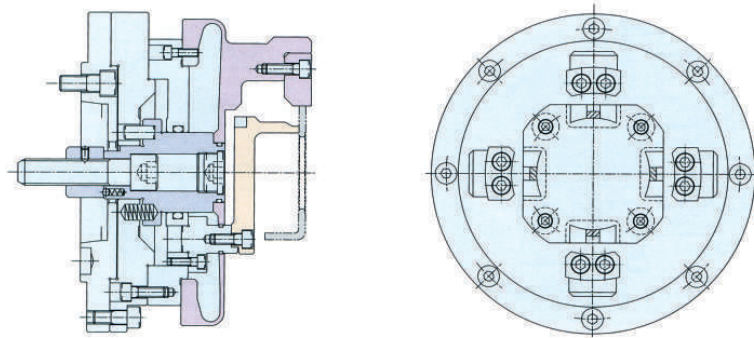
## COLLET & SUB JAW CHUCK : Hub



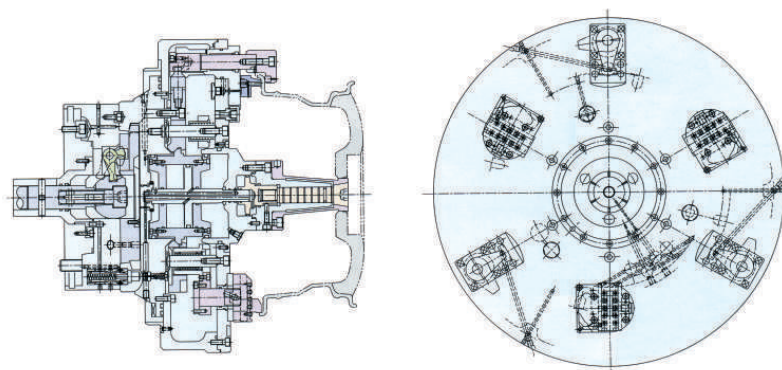
## FINGER & COLLET CHUCK : Driving gear



## DIAPHRAGM CHUCK : Cup planet carrier

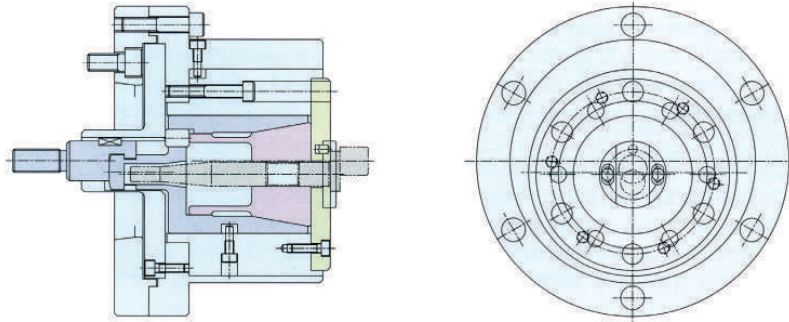


## FINGER & COLLET CHUCK (AIR CHUCK) : AL-Wheel

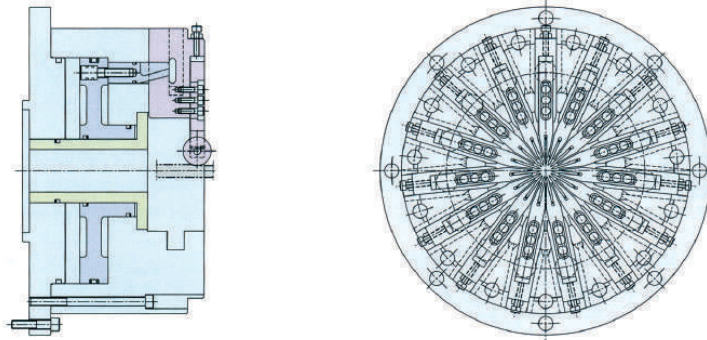




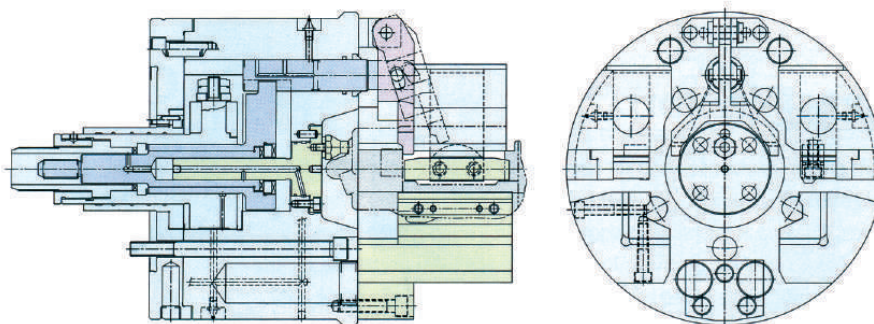
## ECENTRIC & COLLET CHUCK : Compressor shaft



## WEDGE BAR CHUCK : Copper pipe



## LEVER CHUCK : Caliper housing



# C5M·C55M·C56M

원심력 보상형 척  
COMPENSATING CHUCK



- 센터 홀 기준
- 자동중심보정
- 원심력 보상
- 강력한 파악
- Center Hole Base
- Self-Centering
- Compensation of Centrifugal Force
- Strong Gripping

# C10D·C12D·C24D·C27D

고정용 척  
STATIONARY CHUCK



- 고정식 장착
- 다양한 특징
- Station-type Mounting
- Diverse Features C10D

# C18M

퀵 체인지 척  
QUICK CHANGE CHUCK



- 신속한 교체
- 반복성 우수
- Quick Change
- Excellent Repe.9 cmtition

## C22M·C24M

롱 스트로크 척  
LONG STROKE CHUCK



- 롱 스트로크
- 호환성 우수
- Long Stroke
- Excellent Compatibility

## C23M

다기능 척  
2 & 3 JAW CHUCK

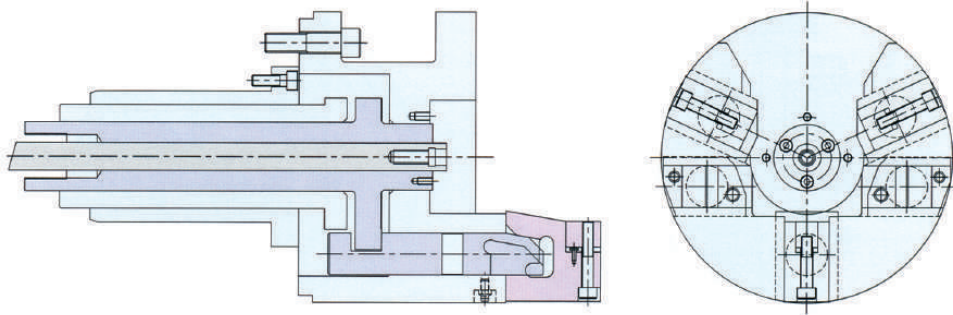


- 다양한 파악
- 다목적 용도
- Various Clamping
- Multiple Utilites

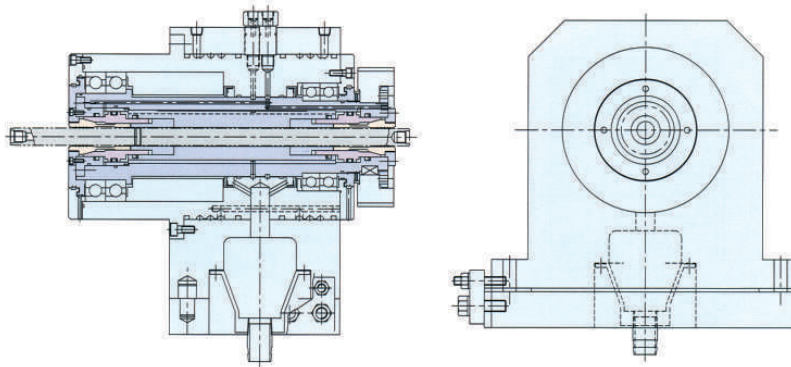


# SPECIAL CHUCK

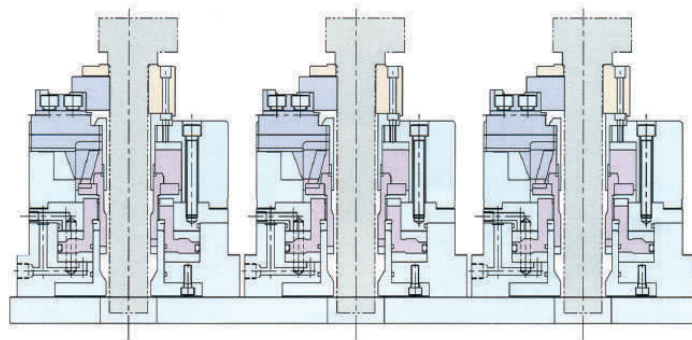
## WEDGE BAR CHUCK : Crank shaft



## SPINDLE & COLLET CHUCK : Shaft



## STATIONARY CHUCK : Brake cam shaft



The background of the entire page is a close-up, high-angle photograph of a metal drill bit. The drill bit is positioned diagonally, with its tip pointing towards the center of the frame. It is surrounded by various metal components, likely parts of a lathe or a similar industrial machine. The lighting is dramatic, with strong highlights and deep shadows, creating a sense of precision and industrial strength. The overall color palette is dominated by metallic blues and greys.

**SEOAM**

SEOAM  
MACHINERY  
INDUSTRY

# SEOAM

최고라는 자부심으로  
최선을 다하겠습니다.